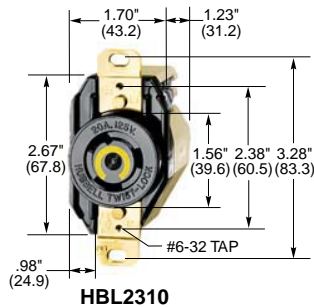


## TWIST-LOCK® Devices

### 2 Pole, 3 Wire Grounding

20 Ampere, 125, 250 Volts and 277 Volts AC

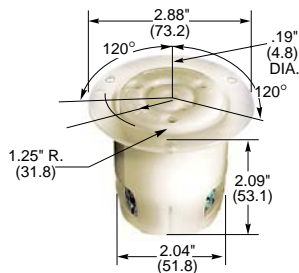
### Receptacles, INSULGRIP® Connector Bodies, Flanged Devices and Plugs



**HBL2310**



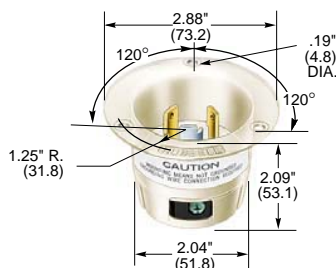
**HBL2313**



**HBL2316**



**HBL2311**



**HBL2315**



Fed.Spec.

### Single Flush Receptacles, Back and Side Wired



NEMA L5-20R  
20A 125V  
UL/CSA  
1 HP



NEMA L6-20R  
20A 250V  
UL/CSA  
2 HP



NEMA L7-20R  
20A 277V AC  
UL/CSA  
2 HP

| Description                             | Catalog Numbers  |                |                |
|---|------------------|----------------|----------------|
| Black nylon face.                       | <b>HBL2310</b>   | <b>HBL2320</b> | <b>HBL2330</b> |
| Isolated ground, orange nylon face.     | <b>IG2310</b>    | <b>IG2320</b>  | —              |
| Corrosion resistant, yellow nylon face. | <b>HBL23CM10</b> | —              | —              |

### Insulgrip Connector Bodies IP20 SUITABILITY

| Description                        | Catalog Numbers  |                  |                |
|------------------------------------|------------------|------------------|----------------|
| Black and white nylon.             | <b>HBL2313</b>   | <b>HBL2323</b>   | <b>HBL2333</b> |
| Corrosion resistant, yellow nylon. | <b>HBL23CM13</b> | <b>HBL23CM23</b> | —              |

Note: Cord clamp range .360"-.930" (9-24).

### Insulgrip Flanged Receptacles

| Description               | Catalog Numbers |                |                |
|---------------------------|-----------------|----------------|----------------|
| Nylon casing, back wired. | <b>HBL2316</b>  | <b>HBL2326</b> | <b>HBL2336</b> |



NEMA L5-20P  
20A 125V  
UL/CSA  
1 HP



NEMA L6-20P  
20A 250V  
UL/CSA  
2 HP



NEMA L7-20P  
20A 277V AC  
UL/CSA  
2 HP

### Insulgrip Plugs IP20 SUITABILITY

| Description                        | Catalog Numbers  |                  |                |
|------------------------------------|------------------|------------------|----------------|
| Black and white nylon.             | <b>HBL2311</b>   | <b>HBL2321</b>   | <b>HBL2331</b> |
| Corrosion resistant, yellow nylon. | <b>HBL23CM11</b> | <b>HBL23CM21</b> | —              |

Notes: Cord grip range .360"-.930" (9-24).

See page B-73 for Add-A-Shroud™ kit.

### Insulgrip Flanged Inlets

| Description               | Catalog Numbers |                |                |
|---------------------------|-----------------|----------------|----------------|
| Nylon casing, back wired. | <b>HBL2315</b>  | <b>HBL2325</b> | <b>HBL2335</b> |

Notes: See pages B-68 and B-69 for accessories.

See page B-63 for switched enclosure.

For technical information see page B-83.

HP ratings are AC only.

Only receptacles and plugs are HP rated.

Dimensions in Inches (mm)