

## TWIST-LOCK® Devices

### 3 Pole, 4 Wire Grounding

20 Ampere, 125/250 Volts, 3Ø 250 and 3Ø 480 Volts AC

Receptacles, INSULGRIP® Connector Bodies, Flanged Devices and Plugs



NEMA L14-20R  
20A 125/250V  
UL/CSA  
2 (1) HP



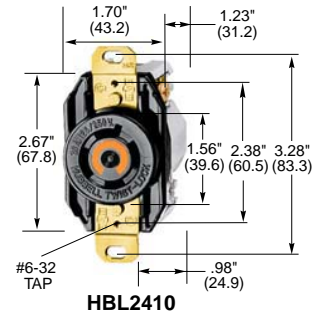
NEMA L15-20R  
20A 3Ø 250V AC  
UL/CSA  
3 HP



NEMA L16-20R  
20A 3Ø 480V AC  
UL/CSA  
5 HP

### Single Flush Receptacles, Back and Side Wired

Description	Catalog Numbers		
Black nylon face.	<b>HBL2410</b>	<b>HBL2420</b>	<b>HBL2430</b>
Isolated ground, orange nylon face.	<b>IG2410</b>	<b>IG2420</b>	-



### Insulgrip Connector Bodies IP20 SUITABILITY

Description	Catalog Numbers		
Black and white nylon.	<b>HBL2413</b>	<b>HBL2423</b>	<b>HBL2433</b>
Corrosion resistant, yellow nylon.	<b>HBL24CM13</b>	<b>HBL24CM23</b>	<b>HBL24CM33</b>

Note: Cord clamp range .35"-1.15" (9-29).



### Insulgrip Flanged Receptacles

Description	Catalog Numbers		
Nylon casing, back wired.	<b>HBL2416</b>	<b>HBL2426</b>	<b>HBL2436</b>



NEMA L14-20P  
20A 125/250V AC  
UL/CSA  
2 (1) HP



NEMA L15-20P  
20A 3Ø 250V AC  
UL/CSA  
3 HP



NEMA L16-20P  
20A 3Ø 480V AC  
UL/CSA  
5 HP

### Insulgrip Plugs IP20 SUITABILITY

Description	Catalog Numbers		
Black and white nylon.	<b>HBL2411</b>	<b>HBL2421</b>	<b>HBL2431</b>
Corrosion resistant, yellow nylon.	<b>HBL24CM11</b>	<b>HBL24CM21</b>	<b>HBL24CM31</b>

Notes: Cord clamp range .35"-1.15" (9-29).  
See page B-73 for Add-A-Shroud™ kit.



### Insulgrip Flanged Inlets

Description	Catalog Numbers		
Nylon casing, back wired.	<b>HBL2415</b>	<b>HBL2425</b>	<b>HBL2435</b>

Notes: All HP ratings are AC only.  
HP ratings not in parentheses are phase to phase.  
HP rating in parentheses is phase to neutral.  
Only receptacles and plugs are HP rated.  
See pages B-70 and B-71 for accessories.  
For technical information see page B-83.  
See page B-63 for switched enclosure.



Dimensions in Inches (mm)