

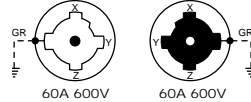
## 3 Pole, 4 Wire Grounding

60 Ampere, 600 Volts AC

Receptacles, Plug, Connector Body and Flanged Devices

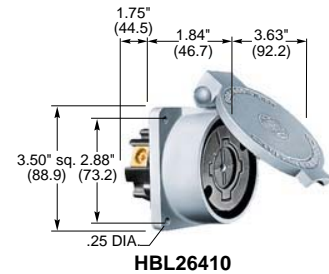


**IP30**  
SUITABILITY



### Receptacles IP44 SUITABILITY

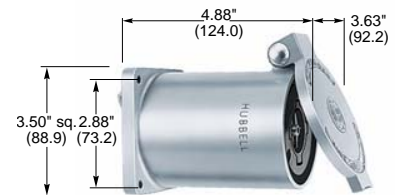
Description	Catalog Numbers
Black phenolic interior with short aluminum housing and lift cover.	<b>HBL26410</b> -
Black phenolic interior with long aluminum housing and lift cover.	<b>HBL26420</b> -



### Connector Body

Description	Catalog Number
Black phenolic interior with yellow thermoplastic sleeve over steel cover.	<b>HBL26418</b> -

Note: Cord clamp range .92"-1.45" (23.36-36.83).



### Flanged Receptacle IP44 SUITABILITY

Description	Catalog Number
Black phenolic interior with steel housing and flange.	<b>HBL26421</b> -

### Plug

Description	Catalog Number
Black phenolic interior with yellow thermoplastic sleeve over steel housing.	- <b>HBL26419</b>

Note: Cord clamp range .92"-1.45" (23.36-36.83).



### Flanged Inlet

Description	Catalog Number
Black phenolic interior with steel housing and flange.	- <b>HBL26422</b>



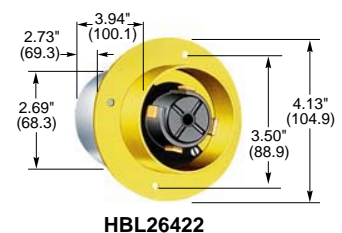
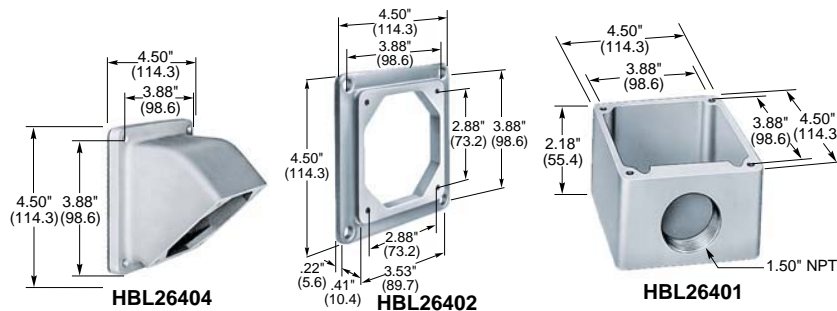
### Box and Adapter Plates

Description	Catalog Numbers
Box, cast aluminum, only for 60A Hubbellock® receptacles.	<b>HBL26401</b>
Straight adapter plate.	<b>HBL26402</b>
45° adapter plate.	<b>HBL26404</b>

Note: Straight or angle adapter plate must be used when mounting a 60A receptacle to HBL26401 box.

### Cable Grip

Description	Cord Dia.	Catalog Number
Cable grip (not shown).	.83"-1.00" (21.1-25.4)	<b>H660A</b>



Dimensions in Inches (mm)