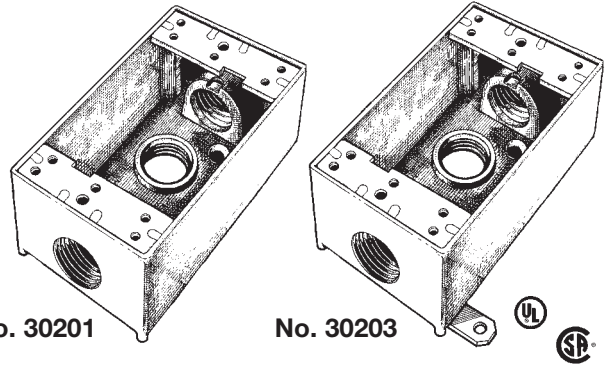


Royal Mountie Single Gang Boxes

Suitable for wet locations

- All 1-gang boxes available with or without attached swivel lugs.
- 2.75" x 4.5" x 2.0" deep.
- Heavy duty die-cast aluminum, .094" thick, with powder finish.
- For use in all indoor and outdoor damp or wet locations, with all standard FS, outlet, lampholder or splice box covers.
- Ground screw and 2 close-up plugs supplied with each box.
- Pre-tapped ground screw hole.
- UL Listed and CSA Approved.
- Comply with Federal Specification AA-50563.



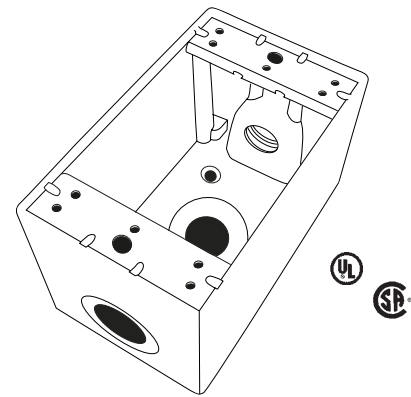
Catalog No.	No. Outlets	Location	Hub Size	Color	Lugs	Cubic Capacity	Carton Quantity	Weight per 100 units
30201	3	1 in each end, 1 in back	1/2"	Gray	N	19.0"	25	52 lbs.
30201B	3	1 in each end, 1 in back	1/2"	Black	N	19.0"	25	52 lbs.
30201W	3	1 in each end, 1 in back	1/2"	White	N	19.0"	25	52 lbs.
30201Z	3	1 in each end, 1 in back	1/2"	Bronze	N	19.0"	25	52 lbs.
30203	3	1 in each end, 1 in back	1/2"	Gray	Y	19.0"	25	54 lbs.
30203B	3	1 in each end, 1 in back	1/2"	Black	Y	19.0"	25	54 lbs.
30203W	3	1 in each end, 1 in back	1/2"	White	Y	19.0"	25	54 lbs.
30203Z	3	1 in each end, 1 in back	1/2"	Bronze	Y	19.0"	25	54 lbs.
30204	3	1 in each end, 1 in back	3/4"	Gray	N	19.0"	25	60 lbs.
30204W	3	1 in each end, 1 in back	3/4"	White	N	19.0"	25	60 lbs.
30204Z	3	1 in each end, 1 in back	3/4"	Bronze	N	19.0"	25	60 lbs.
30206	3	1 in each end, 1 in back	3/4"	Gray	Y	19.0"	25	60 lbs.
30206W	3	1 in each end, 1 in back	3/4"	White	Y	19.0"	25	60 lbs.
30206Z	3	1 in each end, 1 in back	3/4"	Bronze	Y	19.0"	25	60 lbs.
30207	4	2 in 1 end, 1 in other end, 1 in back	1/2"	Gray	N	18.0"	25	60 lbs.
30207W	4	2 in 1 end, 1 in other end, 1 in back	1/2"	White	N	18.0"	25	60 lbs.
30207Z	4	2 in 1 end, 1 in other end, 1 in back	1/2"	Bronze	N	18.0"	25	60 lbs.
30209	4	2 in 1 end, 1 in other end, 1 in back	1/2"	Gray	Y	18.0"	25	56 lbs.
30209W	4	2 in 1 end, 1 in other end, 1 in back	1/2"	White	Y	18.0"	25	56 lbs.
30209Z	4	2 in 1 end, 1 in other end, 1 in back	1/2"	Bronze	Y	18.0"	25	56 lbs.
30210	4	2 in 1 end, 1 in other end, 1 in back	3/4"	Gray	N	18.0"	25	58 lbs.
30212	4	2 in 1 end, 1 in other end, 1 in back	3/4"	Gray	Y	18.0"	25	58 lbs.

Royal Mountie Single Gang Boxes
Suitable for wet locations

Catalog No.	No. Outlets	Location	Hub Size	Color	Lugs	Cubic Capacity	Carton Quantity	Weight per 100 units
30213	5	2 in each end, 1 in back	1/2"	Gray	N	18.0"	25	60 lbs.
30215	5	2 in each end, 1 in back	1/2"	Gray	Y	18.0"	25	62 lbs.
30216	5	2 in each end, 1 in back	3/4"	Gray	N	18.0"	25	56 lbs.
30218	5	2 in each end, 1 in back	3/4"	Gray	Y	18.0"	25	58 lbs.
30219	5	1 in each end, 1 in each side, 1 in back	1/2"	Gray	N	18.0"	25	60 lbs.
30221	5	1 in each end, 1 in each side, 1 in back	1/2"	Gray	Y	18.0"	25	64 lbs.
30222	5	1 in each end, 1 in each side, 1 in back	3/4"	Gray	N	18.0"	25	58 lbs.
30224	5	1 in each end, 1 in each side, 1 in back	3/4"	Gray	Y	18.0"	25	60 lbs.
30226	6	1 in each end, 2 in 1 side, 1 in other side, 1 in back	1/2"	Gray	N	18.0"	25	62 lbs.
30227	6	1 in each end, 2 in 1 side, 1 in other side, 1 in back	1/2"	Gray	Y	18.0"	25	62 lbs.
30228	6	1 in each end, 2 in 1 side, 1 in other side, 1 in back	3/4"	Gray	Y	18.0"	25	58 lbs.

**ONE GANG DEEP BOXES
 SUITABLE FOR WET LOCATIONS**

- All 1-gang deep boxes come with detachable lugs, 2 close-up plugs, and self-tapping ground screw.
- 2.75" x 4.5" x 2.625" deep.
- Heavy duty die-cast aluminum, .094" thick, with powder finish.
- UL Listed and CSA Approved.
- Ground screw hole is in bottom of box.



Catalog No.	Outlets	Location	Size	Color	Capacity	Carton Quantity	Weight per 100 units
30583	3	1 in each end, 1 in back	1/2"	Gray	24.0"	10	90 lbs.
30584	3	1 in each end, 1 in back	3/4"	Gray	24.0"	10	90 lbs.
30589	3	1 in each end, 1 in back	1"	Gray	24.0"	10	90 lbs.
30586	4	2 in 1 end, 1 in other end, 1 in back	1/2"	Gray	24.0"	10	90 lbs.
30587	4	2 in 1 end, 1 in other end, 1 in back	3/4"	Gray	24.0"	10	90 lbs.