

Heavy Duty In-Line RCD

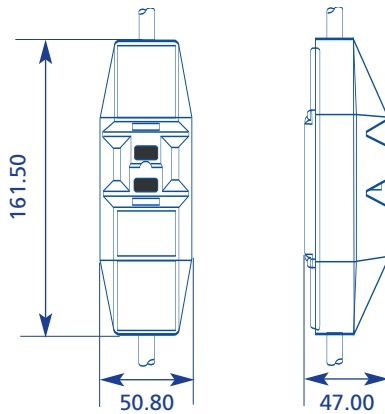
IP65 Rated Conforms to IEC 61540



The PowerBreaker J62 provides added personal protection against electrocution when using electrical equipment in adverse conditions. The unit has double pole protection and is now rewirable.

For use in adverse conditions, such as building sites, plant applications, industrial manufacturing, where water presents a danger and rough handling is expected, trips on loss of power supply, preventing unexpected start up of equipment.

- Can be used on portable appliances and extension leads
- 16A Rated
- IP65



J62-T



J62Y

| Cat no. | Description |
|---------|---|
| J62-T | Heavy Duty In-Line RCD - 16A, 230V, Electrically latched. |
| J62-Y | Heavy Duty In-Line RCD - 16A, 110V, Electrically latched. |

TECHNICAL DATA

| | J62-T | J62Y |
|----------------------------|------------------------|------------------------|
| Rated Voltage: | 230V AC-50Hz | 110V (55 - 0 - 55) |
| Maximum operating current: | 16A Resistive | 16A Resistive |
| Rated Trip Current: | 30mA | 30mA |
| Maximum load: | 3.68kW | 1.8kW |
| Trip speed: | 40mS (typical) | 40mS (typical) |
| Electrical (Active) | | |
| RCD Contact break: | Double Pole | Double Pole |
| Tripped indication: | Mechanical flag | Mechanical flag |
| Leads: | Supplied without leads | Supplied without leads |
| Colour: | Orange | Yellow |
| Supplied with: | Silicon sealant | Silicon sealant |

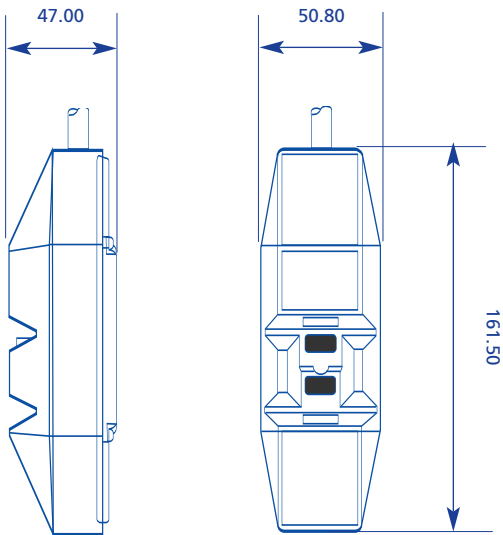
Portable In-Line RCD

Conforms to IEC 61540



The PowerBreaker J63 is an In-Line IEC lead which incorporates an RCD for the protection of personnel using permanent or semi-permanent equipment on many commercial and industrial applications.

- Suitable for BS/European power supply systems
- Robust construction
- Double pole breaking
- Mechanical flag to indicate contact position
- Separate test and reset buttons



| Cat no. | Description |
|---------|--|
| J63 | Portable In-Line RCD, 10A, Electrically latched. |

TECHNICAL DATA

| | |
|----------------------------|--|
| Rated Voltage: | 230V AC ~50Hz |
| Maximum operating current: | 10A Resistive |
| Rated Trip Current: | 30mA |
| Maximum load: | 2.3kW |
| Trip Speed: | 40mS (typical) |
| Electrical Latching | |
| RCD Contact Break: | Double Pole |
| Tripped Indication: | Mechanical Flag |
| Lead lengths nominal | Input IEC Socket Output 300mm lead & IEC Plug |
| Colour: | Black |