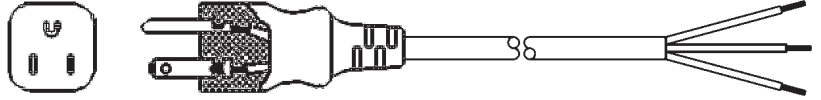


## USA / Canada - Non-Detachable Power Supply Cords

### SPECIFICATIONS

- Molded PVC male grounding plug.  
Meets requirements for Hospital use.  
Green dot on face designating Hospital Grade. U-shaped ground pin.
- Straight, with flex strain relief.
- Soldered nickel-plated brass blades.
- Standard: NEMA 5-15P
- Approvals: UL, CSA

### HOSPITAL GRADE



Molded PVC Hospital Grade  
Grounding Plug No. UC-018  
NEMA 5-15P

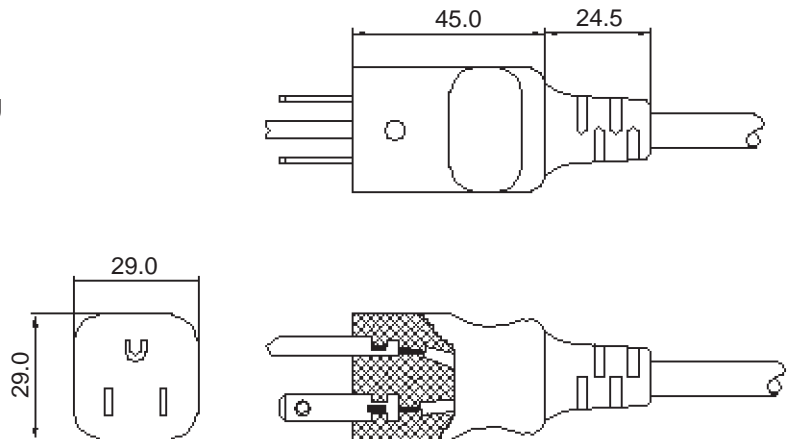
Remove Outer Jacket  
Strip and Twist  
50.8mm / 15.9mm

Catalog No.*	Rating	Color	Wire Type (Stranding)	Length	Color <sup>1</sup>	Nominal $\varnothing$	2nd End	VPE/Pack	EDP-No.
4880-03M-BB	10A-125V	Black	SJT 18/3 (41x34)	3.0m	NA	7.8mm		50 ea	<a href="#">122537</a>
4800-03M-GG	10A-125V	Gray	SJT 18/3 (41x34)	3.0m	NA	7.8mm		50 ea	<a href="#">118224</a>
4881-03M-GG <sup>2</sup>	10A-125V	Gray	SJT 18/3 (41x34)	3.0m	NA	7.8mm	see above	50 ea	<a href="#">122536</a>
4680-04M-BB	13A-125V	Black	SJT 16/3 (26x30)	4.0m	NA	8.5mm		50 ea	<a href="#">122538</a>
4680-04M-GG	13A-125V	Gray	SJT 16/3 (26x30)	4.0m	NA	8.5mm		50 ea	<a href="#">122539</a>
4480-04M-GG	15A-125V	Gray	SJT 14/3 (41x30)	4.0m	NA	9.6mm		25 ea	<a href="#">117284</a>

\* Catalog No. indicates: **Series - Length Code - Color Code** (e.g. BB = all Black, GG = all Gray)

<sup>1</sup> Conductor Color Code: NA = Black, White, Green – <sup>2</sup> Denotes clear PVC male plug

Plug Number: **UC-018**  
 Configuration: NEMA 5-15P  
 Description: Molded Hospital Grade Grounding Plug  
 Ratings: 15A/125V  
 Approvals: UL, CSA  
 Wire Type(s): SVT 18/3C; SJT 18/3C 16/3C 14/3C  
 Features: Molded PVC male grounding plug, straight, with flex strain relief. Meets requirements for hospital use. Soldered nickel-plated brass blades, U-shaped ground pin. Green dot on face designating hospital grade.



To learn more about B-I-A please visit us at our  
 WEB site: [www.BiaGmbH.com](http://www.BiaGmbH.com)

