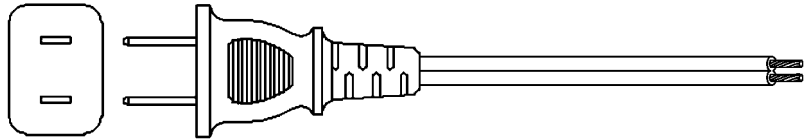


## China - 2-Conductor Non-Detachable Power Supply Cords

### SPECIFICATIONS

- Molded PVC male plug, with finger grip.
- Straight, with flex strain relief.
- Nickel-plated brass solid blades.
- Standard: GB 1002-1996
- Approvals: CCC (or older CCEE)



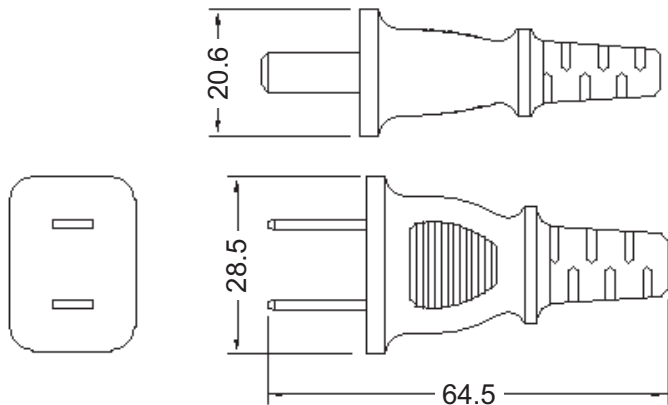
Molded PVC Plug  
No. see below

Remove Outer Jacket  
Split and Strip  
2nd End see below

Catalog No.*	Rating	Color	Plug No.	Wire Type	Color <sup>1</sup>	Nominal Ø	2nd End	VPE/Pack	EDP-No.
<b>8520-25M-BB</b>	7.5A-125V	Black	UC-051	RVB 2 x 0.75 mm <sup>2</sup>	Black	5.8x2.9mm	50/12mm	5000 ea	<b>123496</b>

\* Catalog No. indicates: **Series - Length Code - Color Code** (e.g. BB = all Black, GG = all Gray)

<sup>1</sup> Conductor Color Code: CEE = Brown, Blue, Green/Yellow – NA = Black, White, Green



Part Number: **UC-051**

Configuration: GB 1002-1996

Description: Molded Plug

Ratings: 7.5A/125V

Approvals: CCEE

Wire Type(s):  
 RVB 300/300V 2 x 0.50 mm<sup>2</sup>  
 RVB 300/300V 2 x 0.75 mm<sup>2</sup>  
 RVVB 300/300V 2 x 0.50 mm<sup>2</sup>  
 RVVB 300/300V 2 x 0.75 mm<sup>2</sup>

Features:  
 Molded PVC male plug, straight, with flex strain relief and finger grip.  
 Standard nickel-plated brass solid blades.

To learn more about B-I-A please visit us at our  
 WEB site: [www.BiaGmbH.com](http://www.BiaGmbH.com)

