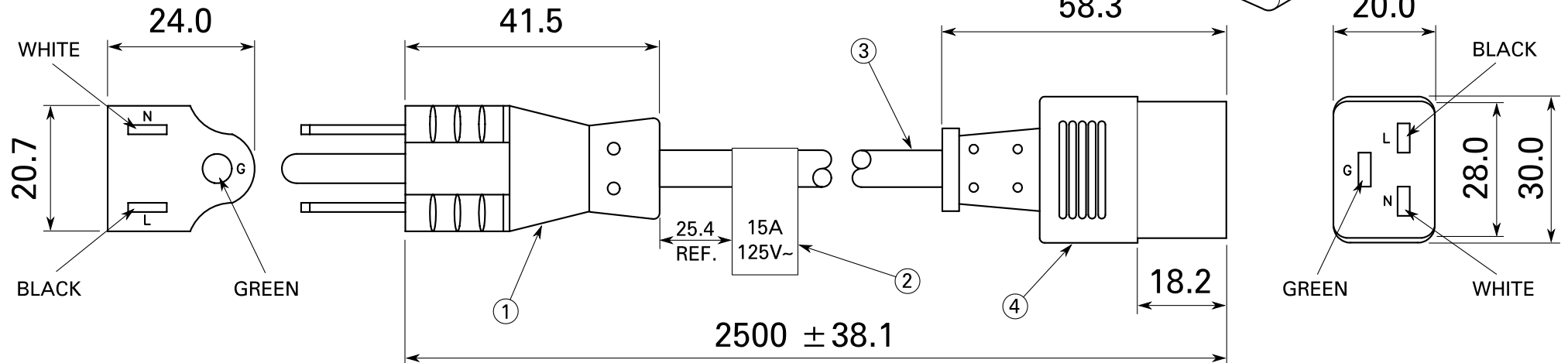
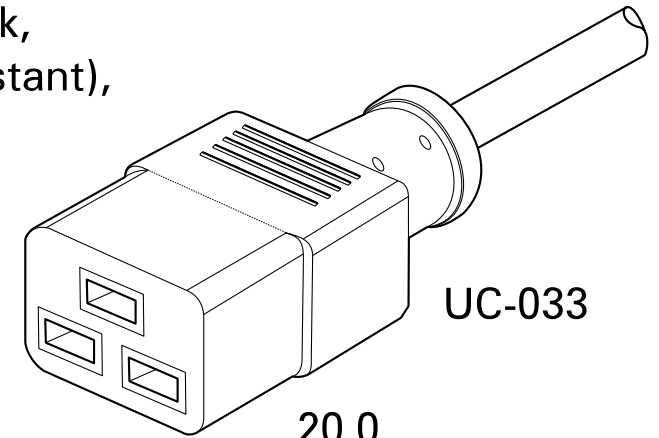
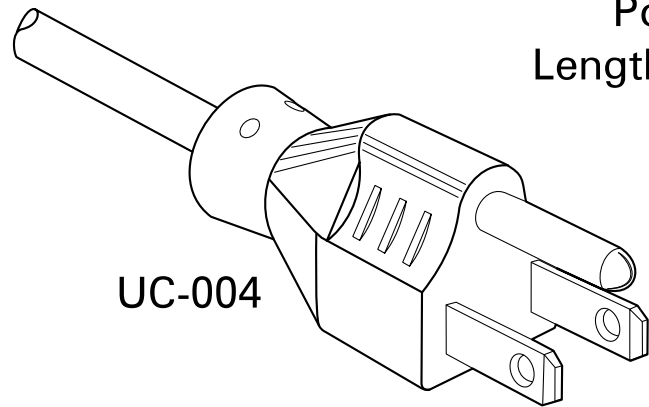


Power Supply Cordset USA/Canada, Black,  
 Length 2.5 m, Cord Type SJTO 14/3 (Oil Resistant),  
 Ratings 15 Amp, 2P + E, 125 Volt AC,  
 Plug Type UC-004 (NEMA 5-15P),  
 Connector UC-033 (IEC 60320/C19)



BILL OF MATERIALS			
ITEM	DESCRIPTION	QTY	PART NO.
1	BLACK MALE GROUNDING PLUG (NEMA 5-15P) NICKEL PLATED BRASS BLADES	1	UC-004 98661BS-1
2	UL CORD SET 15A/125V RATING TAG	1	UL-0108
3	BLACK SJTO 14/3 105°C FT2 (OIL RESISTANT) NA BC STRANDING (41x30)	*	N/A
4	BLACK FEMALE CONNECTOR (IEC 60320/C19) NICKEL PLATED BRASS CONTACTS	1	UC-033 98735BL-1

- NOTES:
1. ELECTRICAL RATING: 15A/125V.
  2. APPROVALS: UL/cUL.
  3. UL FILE NO. E147323.
  4. RoHS COMPLIANT.
  5. REACH COMPLIANT.
  6. BULK PACKAGING.

Tolerance	Approved		Date		www.biagmbh.com Copyright © B-I-A GmbH, Germany		
	Updated	jup	Date	2011-06-29	<b>B-I-A Vertriebs GmbH</b>		
	Drawn	jup	Date	2011-06-20	www.biaonline.com info@biagmbh.com		
	Catalog No.	<b>7404-25M-BB</b>		P/N Line	<b>126557</b>	<b>L1715</b>	
	Drawing No.	0740433-00	Rev. B	Material	Thermoplastic	Unit	mm
				Scale			