

North America - Non-Detachable Connector, NEMA 5-15R



Catalog No. : UC-022

Standard : NEMA 5-15R

Ratings : 15A, 125V AC

Wires/Poles : 2 Pole 3 Wire Grounding (2P + E)

Applications : For Class I Equipment

Notes : Usually made to order only!

U.S.A. / Canada

Available with Cords: (Note: not available in all sizes)



Parallel
SPT-2, SPT-3

Round, Medium
SJT, SJTW,
SJTOW, SJTO
SJT shielded

Rubber, Medium
SJ, SJOW,
SJO, SJOOW,
SJW

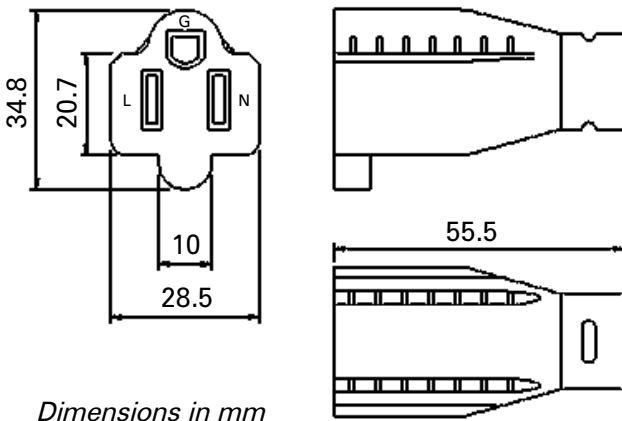
Round, Heavy
ST, ST shielded,
STO, STOW,
STW

Rubber, Heavy
SO, SOO,
SOOW, SOW

Popular Cordage AWG Size/Cond.	Jacket Material	Conductor Size (mm ²)	Amp.* Rating	Insulation Material	Stranding (No. x AWG)	Insulation (mm) Thickness	Jacket (mm) Thickness / O.D.	Temp. Ratings
SJT 18/3	PVC	0.825	10A	PVC	41 x 34	0.76	0.76 / 7.8	60/105°C
SJT 16/3	PVC	1.320	13A	PVC	26 x 30	0.76	0.76 / 8.5	60/105°C
SJT 14/3	PVC	2.080	15A	PVC	41 x 30	0.76	0.76 / 9.5	60/105°C
SJT 12/3	PVC	3.290	15A	PVC	65 x 30	0.76	1.14 / 10.9	60/105°C
<i>Medium duty cordage: SJTW outdoor use water resistant, SJTO oil resistant, SJTOW outdoor use oil and water resistant</i>								
ST 18/3	PVC	0.811	10A	PVC	16 x 30	0.76	1.53 / 9.4	60/105°C
ST 16/3	PVC	1.320	13A	PVC	26 x 30	0.76	1.53 / 10.3	60/105°C
ST 14/3	PVC	2.080	15A	PVC	41 x 30	0.76	2.03 / 13.5	60/105°C
ST 12/3	PVC	3.290	15A	PVC	65 x 30	0.76	2.41 / 15.8	60/105°C
<i>Heavy duty cordage: STW outdoor use water resistant, STO oil resistant, STOW outdoor use oil and water resistant</i>								
<i>Special constructions (cordage, length, color, terminations, terminals, etc.) available on request. *Ampere Rating depending on configuration.</i>								

Dimensional Data:

Receptacle Wiring Diagram:



Technical data and dimensions are subject to change without notice.

