

**North America - Non-Detachable Right Angle Appliance Connector (C19)**



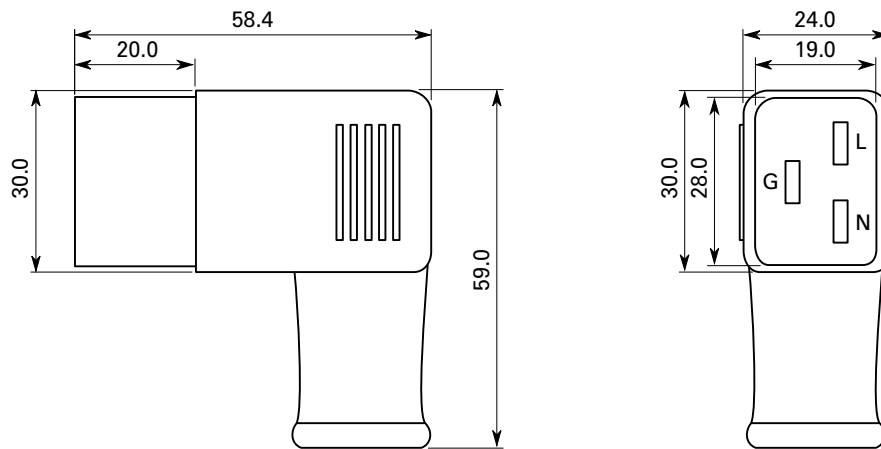
**Catalog No. : UC-033R**

**Description :** Molded Appliance 90° Connector  
**Configuration :** IEC 60320/C19  
**Ratings :** 20A/125V, 20A/250V  
**Wires/Poles :** 2 Pole 3 Wire Grounding (2P + E)  
**Applications :** For Class I Equipment  
**Approvals :** UL, cUL  
**Wire Type(s) :** ST, SJT, SJT (shielded), SJTO, STO 14/3, 12/3

**Features :** Molded PVC over PC insert. 90° angle female connector with finger grip. Spring contacts.

Popular Cordage AWG Size/Cond.	Jacket Material	Conductor Size (mm <sup>2</sup> )	Amp.* Rating	Insulation Material	Stranding (No. x AWG)	Insulation (mm) Thickness	Jacket (mm) Thickness	Jacket (mm) Outside Dia.	Temperature Ratings (°C)
SJT 14/3	PVC	2.080	18A	PVC	41 x 30	0.76	0.76	9.5	60, 105
SJT 12/3	PVC	3.290	20A	PVC	65 x 30	0.76	1.14	10.9	60, 105
<i>Medium duty cordage: <b>SJT, SJTO</b> (oil resistant) – For oil resistant and shielded cordage informations contact our sales office.</i>									
ST 14/3	PVC	2.080	18A	PVC	41 x 30	0.76	2.03	13.5	60, 105
ST 12/3	PVC	3.290	20A	PVC	65 x 30	0.76	2.41	15.8	60, 105
<i>Heavy duty cordage: <b>ST, STO</b> (oil resistant) – For oil resistant cordage informations contact our sales office.</i>									
<i>Special constructions (cordage, length, color, terminations, terminals, etc.) available on request. *Ampere Rating depending on configuration.</i>									

**Dimensional Data:**



*Technical data and informations are nominal only and subject to change without notice. Dimensions in mm.*

