

China - Non-Detachable Power Plug, 3 Poles, 10 Amp.



Catalog No. : UC-053

Standard : Chinese GB 1002

Ratings : 10A, 250V AC

Applications : For Class I Equipment

China, Peoples Republic of

Available with Cords:



6A/250V AC

10A/250V AC

H05VV-F

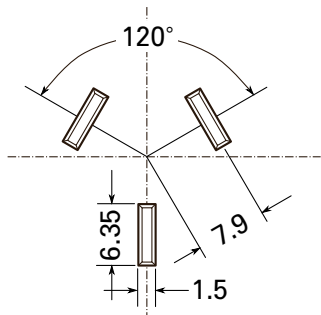
H05VV-F

RVV 300/500V

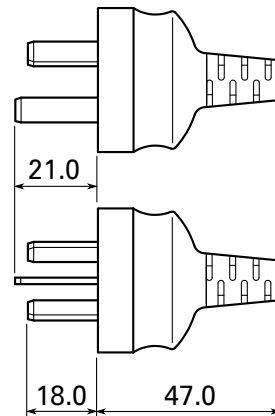
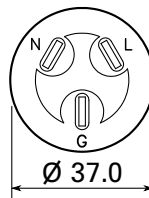
RVV 300/500V

Cordage Type	Jacket Material	Conductor Size (mm ²)	No. of Cond.	Insulation Material	Stranding (pcs/mm)	Insulation (mm) Thickness	Jacket (mm) Thickness / O.D.	Temp. Ratings
6A/250V AC								
H05VV-F	PVC	0.75	3	PVC	24 / 0.210	0.60	0.80 / 6.7	70°C
RVV 300/500V	PVC	0.75	3	PVC	24 / 0.200	0.60	0.80 / 6.4	70°C
10A/250V AC								
H05VV-F	PVC	1.00	3	PVC	32 / 0.210	0.60	0.80 / 7.0	70°C
RVV 300/500V	PVC	1.00	3	PVC	32 / 0.200	0.60	0.80 / 6.8	70°C

Dimensional Data:



10 Amp. Pin Dimensions



Dimensions in mm