

China - Non-Detachable Power Plug, 3 Poles, 16 Amp.



Catalog No. : UC-056

Standard : Chinese GB 1002 (Right Angle)

Ratings : 16A, 250V AC

Applications : For Class I Equipment

China, Peoples Republic of

Available with Cords:

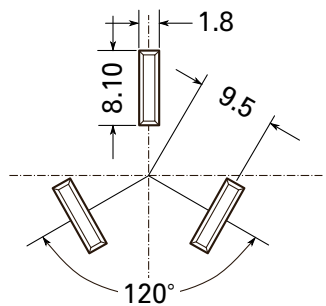
H05VV-F

RVV 300/500V



Cordage Type	Jacket Material	Conductor Size (mm ²)	No. of Cond.	Insulation Material	Stranding (pcs/mm)	Insulation (mm) Thickness	Jacket (mm) Thickness / O.D.	Temp. Ratings
H05VV-F	PVC	1.50	3	PVC	30 / 0.260	0.60	0.80 / 8.5	70°C
RVV 300/500V	PVC	1.50	3	PVC	30 / 0.250	0.70	0.90 / 8.0	70°C

Dimensional Data:



16 Amp. Pin Dimensions

Dimensions in mm

