

North America - Non-Detachable Angle Plug, NEMA 5-15P



Catalog No. : UC-07A

Standard : NEMA 5-15P (Right Angle)

Ratings : 15A, 125V AC

Wires/Poles : 2 Pole 3 Wire Grounding (2P + E)

Applications : For Class I Equipment

U.S.A. / Canada



Available with Cords:

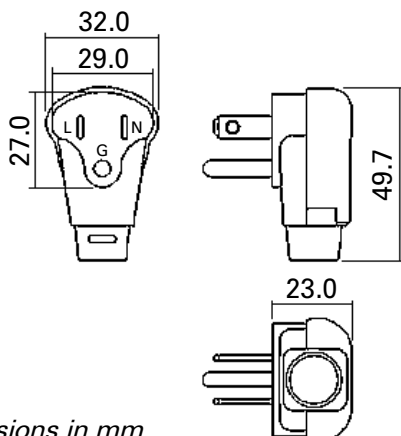
Parallel
SPT-1, -2, -3
Round, Light
SVT

Round, Medium
SJT, SJTW,
SJTO,
SJTOW

Round, Heavy
ST, STW,
STO, STOW

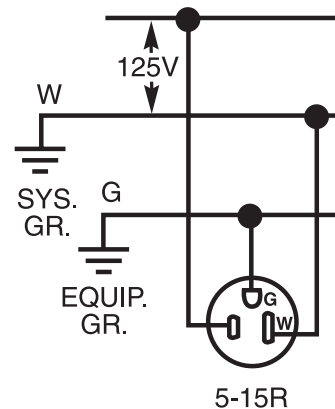
Popular Cordage AWG Size/Cond.	Jacket Material	Conductor Size (mm ²)	Amp.* Rating	Insulation Material	Stranding (No. x AWG)	Insulation (mm) Thickness	Jacket (mm) Thickness / O.D.	Temp. Ratings
SJT 18/3	PVC	0.825	10A	PVC	41 x 34	0.76	0.76 / 7.8	60/105°C
SJT 16/3	PVC	1.320	13A	PVC	26 x 30	0.76	0.76 / 8.5	60/105°C
SJT 14/3	PVC	2.080	15A	PVC	41 x 30	0.76	0.76 / 9.5	60/105°C
SJT 12/3	PVC	3.290	15A	PVC	65 x 30	0.76	1.14 / 10.9	60/105°C
<i>Medium duty cordage: SJTW outdoor use water resistant, SJTO oil resistant, SJTOW outdoor use oil and water resistant</i>								
ST 18/3	PVC	0.811	10A	PVC	16 x 30	0.76	1.53 / 9.4	60/105°C
ST 16/3	PVC	1.320	13A	PVC	26 x 30	0.76	1.53 / 10.3	60/105°C
ST 14/3	PVC	2.080	15A	PVC	41 x 30	0.76	2.03 / 13.5	60/105°C
ST 12/3	PVC	3.290	15A	PVC	65 x 30	0.76	2.41 / 15.8	60/105°C
<i>Heavy duty cordage: STW outdoor use water resistant, STO oil resistant, STOW outdoor use oil and water resistant</i>								
<i>Special constructions (cordage, length, terminations, terminals, etc.) available on request. *Ampere Rating depending on plug configuration.</i>								

Dimensional Data:



Dimensions in mm

Receptacle Wiring Diagram:



Technical data and dimensions are subject to change without notice.