

Switzerland - Surface Mounting Socket Outlets NAP (IP55)

Switzerland System

Surface Mounting Socket Outlets according SEV Standards NAP (IP55)

Specifications

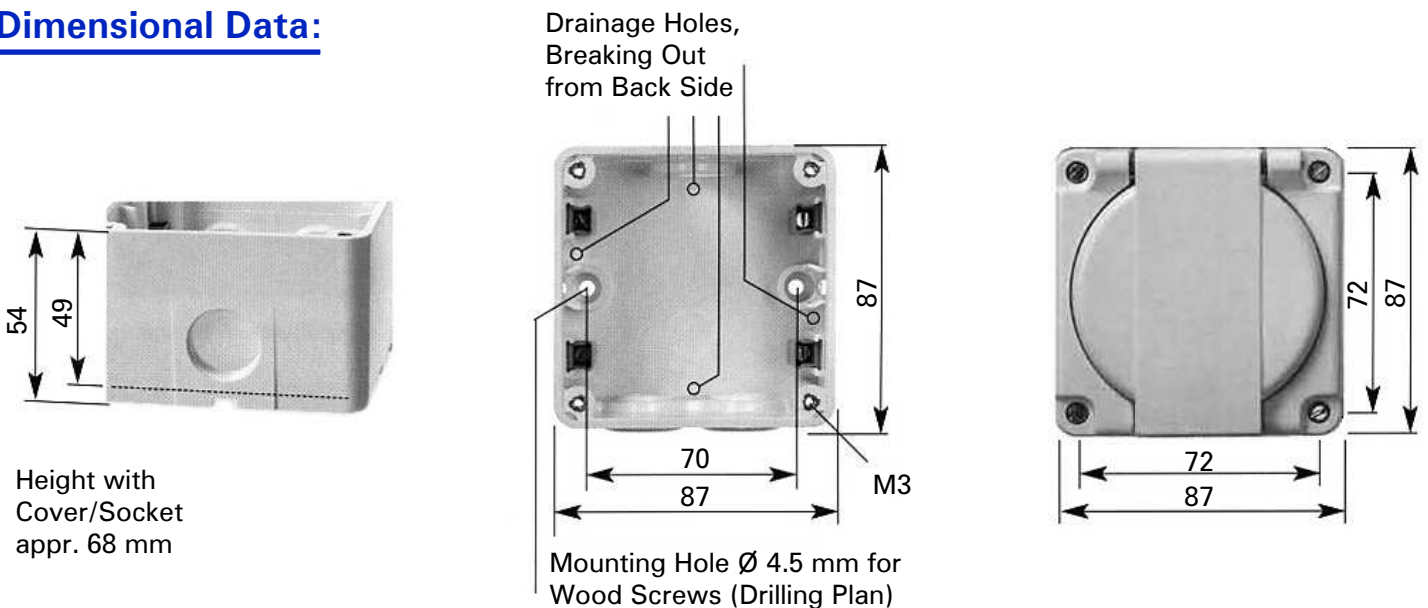
- according to SEV Typ 13, 10A / 250V AC
- according to SEV Typ 23, 16A / 250V AC
- Thermoplastic Housing (Polyester), Gasket Polyethylene
- Hubs M20x1.5 (3), Closing Plugs (2) supplied
- Temperature Continuous: -25°C to +80°C (max. 1 Hour -50°C to +100°C)
- Colors Available: Black RAL 9004, White RAL 9010, Light Grey RAL 7035



87003.NAP.61

Catalog Number	Replaces older Part Numbers	Device Color	Amp/Voltage Ratings	SEV Type	Type of Terminals	appr. Ship Weight/ea	Standard VPE / Packed
87003.NAP.60	—	Black	10A, 250V	Typ 13	Screwless	310 g	10 ea
87003.NAP.61	—	White	10A, 250V	Typ 13	Screwless	310 g	10 ea
87003.NAP.62	6.230 and 9.737	Light Grey	10A, 250V	Typ 13	Screwless	310 g	10 ea
87023.NAP.60	—	Black	16A, 250V	Typ 23	Screwless	320 g	10 ea
87023.NAP.61	—	White	16A, 250V	Typ 23	Screwless	320 g	10 ea
87023.NAP.62	—	Light Grey	16A, 250V	Typ 23	Screwless	320 g	10 ea
87123.NAP.60	—	Black	16A, 250V	Typ 23	Screw	330 g	10 ea
87123.NAP.61	—	White	16A, 250V	Typ 23	Screw	330 g	10 ea
87123.NAP.62	6.236	Light Grey	16A, 250V	Typ 23	Screw	330 g	10 ea

Dimensional Data:



Specifications and dimensions subject to change without notice. Dimensions in mm.