

## TYPE CWH3000

# COMMERCIAL FAN-FORCED WALL HEATERS

- For supplementary heating of offices, reception rooms, game rooms, family rooms and similar light-duty commercial and residential applications.
- 1500, 2000, 3000, 4000 and 4800 watts; 120, 208, 240, 277 volts; 60 hz.
- Steel finned metal sheath electric heating elements with low sheath temperatures provide uniform heat and long service life.
- Integral thermostat for quick installation... separate thermostat not necessary. (Range: 40-90° F.)
- Fan only operation for summer use.
- Thermal overheat protector disconnects power in event of overheating due to accidental blockage.
- Built-in power disconnect switch for added safety during maintenance.
- Built-in fan delay switch energizes fan motor only after elements are heated...prevents discharge of unheated air. When heat shuts off, de-energizes fan motor after residual heat has been dissipated.
- Can be wired with standard 90° C wire.
- Permanently lubricated totally enclosed fan motor provides long life and low maintenance; gently distributes warmth throughout room area. 100 CFM.
- Front cover is finished in Northern White powder coating. A hole plug is provided for tamper resistant installations.
- Recess or surface mount in standard 2" x 4" stud walls (Recess mounting is standard; surface-mounting frame CWH3SM for full surface mounting, CWH3S-1 for 1" recess, and CWH3S-2 for 2" recess finished in Northern White powder coating are optional accessories - 19-3/16" high x 15-3/4" wide.)



CAPACITIES
<b>1500, 2000, 3000, 4000 or 4800 Watts</b> <b>120, 208, 240, 277, 347 or 600V</b> <b>1Ø;</b> <b>4000 or 4800 Watts</b> <b>208 or 240V</b> <b>3Ø</b>

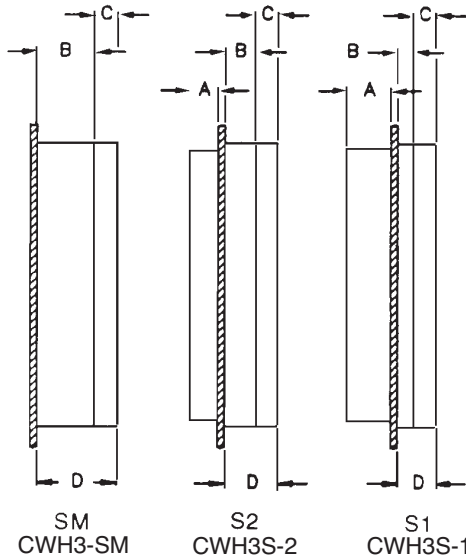
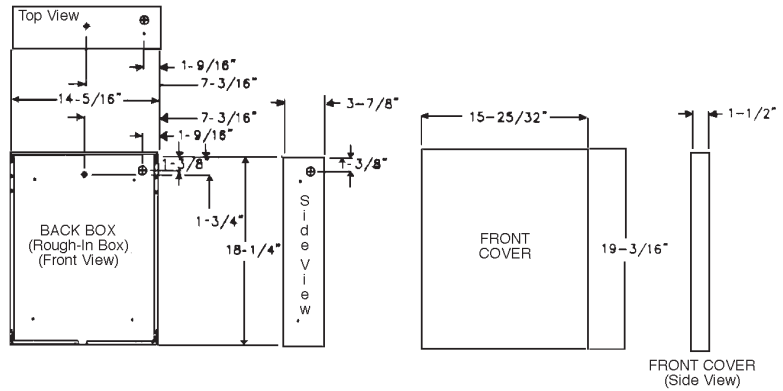
MOUNTING LIMITATIONS
Do not install heater closer than 8" from floor or adjacent wall surface, behind towel rack or door, upside down or side up, in floor, ceiling or closet.

### SELECTION CHART

CAT. NO.	VOLTS	PH.	WATTS	AMPS
CWH3150	120	1	1500	12.5
CWH3180	120	1	1800	15
CWH3404	208/240	1	3000/4000 1500/2000	14.5/16.7
CWH3407	240/277	1	3000/4000 1500/2000	12.5/14.5
CWH3307	277	1	3000/1500	11.0/5.4
CWH3408	208	1	4000/2000	19.5/9.6
CWH34083	208	3	4000	11.1
CWH34043	240	3	4000	9.7
CWH3504	208/240	1	3600/4800	17.3/20.0
CWH3507	240/277	1	3600/4800	15.0/17.3
CWH3508	208	1	4800	23.1
CWH35083	208	3	4800	13.4
CWH35043	240	3	4800	11.6
CWH3203	347	1	2000	5.8
CWH3206	600	1	2000	3.3
CWH3153	347	1	1500	4.3
CWH3156	600	1	1500	2.5
CWH3303	347	1	3000	8.6
CWH3306	600	1	3000	5.0
CWH3403	347	1	4000	11.5
CWH3406	600	1	4000	6.7
CWH3503	347	1	4800	13.8
CWH3506	600	1	4800	8.0

### ACCESSORIES

CAT. NO.	DESCRIPTION
CWH3S-1	1" deep surface mounting sleeve for semi-recessed installation.
CWH3S-2	Same as above except 2" deep.
CWH3-SM	Surface mounting box for surface installations. Painted to match heater decor. 3 1/16" deep.



Model	"A" Recessed Dim.	"B" Thickness Of Frame	"C" Front Cover Dim.	"D" Total Ext. Into Room
CWH3-SM	-	3 13/16"	1-1/2"	5-5/16"
CWH3S-2	1-13/16"	2"	1-1/2"	3-1/2"
CWH3S-1	2-13/16"	1"	1-1/2"	2-1/2"
RECESSED	3-3/4"	-	1-1/2"	1-1/2"

**ARCHITECT'S AND ENGINEER'S SPECIFICATIONS\***

The heating equipment shall include an electric automatic fan forced air heater suitable for small area heating

The heater shall be designed for wall mounting, recess or surface. Heaters shall be UL listed.

**BACKBOX:** The backbox shall be designed for duty as a recessed rough-in box in either masonry or frame installations and is also used with the surface mounting frame in surface mounting installations. The backbox shall be heavy gauge galvanized steel and shall contain knockouts through which power leads are brought.

**INNER FRAME ASSEMBLY:** The heater assembly which fits into the backbox shall consist of a heavy gauge steel fan panel upon which is mounted all of the operational parts of the heater. The inner frame assembly shall be completely pre-wired.

**HEATING ELEMENT:** The heating element shall be of the non-glowing design consisting of an 80/20 nickel-chromium resistance wire enclosed in a steel sheath to which plate fins are copper brazed. It shall be warranted for 5 years. The element shall cover the entire air discharge area to ensure uniform heating of all discharge air.

**DISCONNECT SWITCH:** A double-pole single throw disconnect switch shall be mounted on the back box for positive disconnect of power supply. It will be completely concealed behind the front cover.

**MOTOR AND CONTROLS:** The fan motor shall be impedance protected, permanently lubricated and with totally enclosed Motor. Fan control shall be of the bi-metallic, snap-action type and shall activate fan after heating element reaches operating temperature, and continue to operate the fan after the thermostat is satisfied and until all heated air has been discharged. The thermostat shall be single pole type on all models. Thermal cutout shall be bi-metallic, snap-action type designed to shut off heat in the event of overheating. The fan shall be five-bladed aluminum. The fan motor shall be totally enclosed.

**SURFACE MOUNTING FRAME:** The surface mounting frame shall be of heavy gauge steel designed to mount around the backbox for a finished surface installation. Slot knock outs shall be provided for power supply conduit.

**FRONT COVER:** The louvered front cover shall be of heavy gauge steel with a powder paint finish. A plug button will be provided to replace the thermostat knob and render the unit tamper-resistant.

**FINISH:** All sheet metal parts, except the galvanized steel backbox, shall be phosphatized, then completely painted by a powder paint process.

\*Mfg reserves the right to change specifications without prior notice.