



**E10**



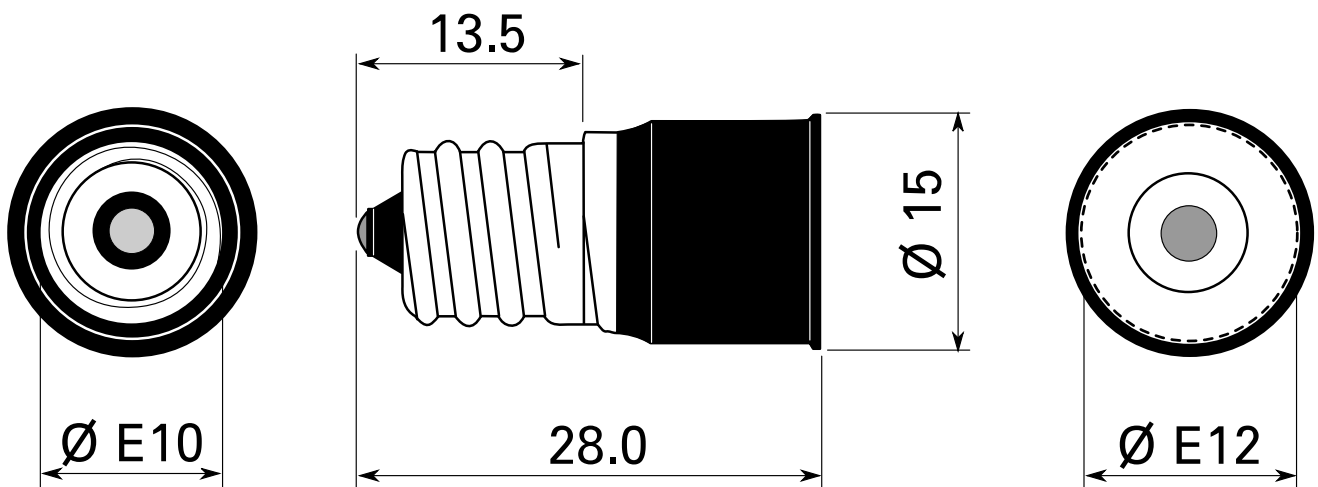
**E12**

**Catalog No. 61012**

Lamp socket adaptor from E10 to E12

Adaptor style is subject to change.

Dimensions in mm



*Technical Data are Subject to Change without Notice. Dimensions in mm.*