

## CURRENT MONITORING

### **Hawkeye®** Mini Split- & Solid-Core Fixed Setpoint Digital Output Current Switches **600/800**



LOW-COST STATUS!

H800 Mini Solid-core

H600 Mini Split-core

The Hawkeye 600/800 Series go/no current switches provide a cost-effective solution for monitoring status on unit vents, exhaust fans, recirculation pumps and other fixed loads where belt loss is not a concern.

#### APPLICATIONS

- Monitoring on/off status of electrical loads
- Monitoring direct drive units, exhaust fans and other fixed loads
- Verifying lighting run times

#### On/off status for direct-drive fans, pumps, and process motors

- More reliable for status than relays across auxiliary contacts
- Ideal for direct-drive units, unit vents, fan coil units, exhaust fans and other fixed loads
- Great for lighting status—less expensive than 277V relays
- Low 0.5A turn-on (H800)... ideal for small exhaust fans (Not intended to detect belt loss)
- Mounting bracket provides installation flexibility

#### Monitor status of fans, pumps, motors & other electrical loads

- Split-core 600 for fast retrofit installation
- Mini solid-core 800 fits in tight enclosures
- 100% solid-state, no moving parts to fail
- Polarity insensitive output
- 5-year limited warranty



#### ORDERING INFORMATION

See the H500 series on page 18 for Start/Stop & Status of fractional HP loads

MODEL	AMPERAGE RANGE	OUTPUT TYPE	OUTPUT RATING (MAX.)
<b>Solid-Core</b>			
H800	0.5 - 200A	N.O., Solid-state	1.0A@30VAC/DC
H800HV	0.75 - 200A*	N.O., Solid-state	.5A@250VAC/DC
H800NC	0.5 - 200A	N.C., Solid-state	.1A@30VDC
<b>Split-Core</b>			
H600	0.75 - 200A*	N.O., Solid-state	1.0A@30VAC/DC

\*See temperature specifications on next page

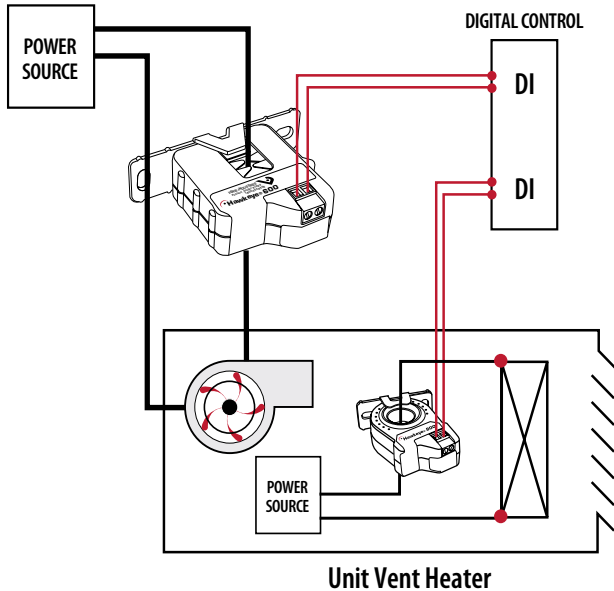


#### ACCESSORIES

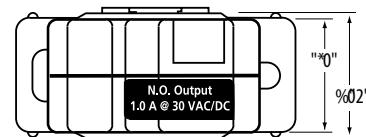
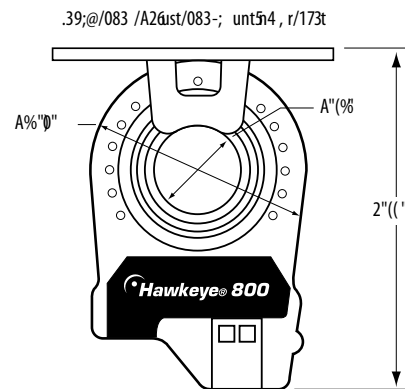
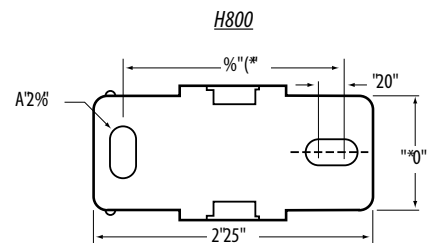
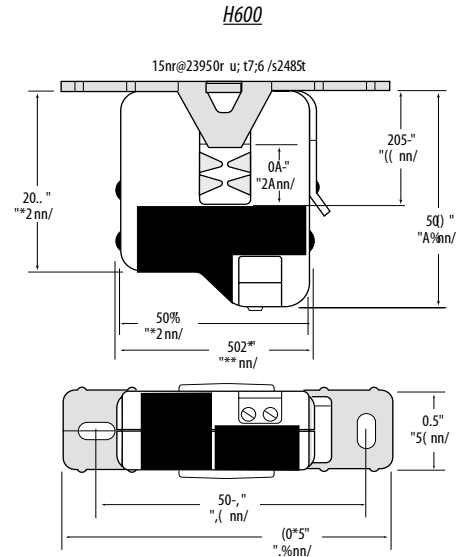
MODEL	DESCRIPTION
AH01	DIN Rail Clip Set compatible with all solid-core models

## CURRENT MONITORING

### APPLICATIONS/WIRING EXAMPLE



### DIMENSIONAL DRAWINGS



### SPECIFICATIONS

Amperage Range	Fixed 0.5 to 200A (H800), 0.75 to 200A (H600)
Sensor Power	Induced
Output	Digital switch (see ordering table)
Insulation Class	600VAC rms
Frequency Range	50/60Hz.
Temperature Range	
(H600*)	15° to 40°C (151-200A)*; -15° to 60°C (0-150A)
(H800/800NC*)	-15° to 60°C.
(H800HV**)	-40° to 75° C. (0.75-100A), contacts to 0.25A@250VAC/DC
	-40° to 50° C. (0.75-200A), contacts to 0.5A@250VAC/DC
	*Use min. 75°C insulated conductor
	** Use min. 90° C. insulated conductor
Humidity Range	0 - 95% non-condensing
Trip Setpoint	Fixed 0.5A H800
Hysteresis	10% typical
Dimensions (H600)...(L x W x H)	(2.34" x 2.0" x .92")
Sensor Hole Size (H600)...(L x W)	.52" x .68"
Dimensions (H800)...(L x W x H)	2.77" x 1.80" x 1.02"
Sensor Hole Size (H800)	0.71" diameter