



Model PLX150/Ti

Ultra slim panel convector heaters

the PLX panel heater range

The PLX range of compact wall mounted panel heaters are the popular choice for specifiers, home owners and contractors who demand stylish, space saving and efficient electric heating systems. Styled to match our popular XL and CXL style storage heaters, PLX panel heaters are often used to heat areas such as bedrooms, bathrooms, kitchens and other areas, which only require heating for short periods of the day.

They are also a cost effective way to extend an existing heating system when buildings are being refurbished or new rooms added. To reduce running costs, good controls are essential. Most models feature accurate thermostatic controls and the option of a built-in 24-hour time clock to programme the heating in advance. Models without built-in controls are designed for use with remote controllers.



Control panel access



Model PLX300/Ti

PLX RANGE FEATURES

- Convected heat for rapid warm-up.
- Suitable for domestic or commercial use.
- Choice of models with or without timers.
- All models splashproof (IPX4 rated) for use in bathrooms and other wet areas.
- High accuracy adjustable thermostat responds to very small changes in room temperature to virtually eliminate temperature drift (not applicable to PLX/NC range).
- Frost protection setting.
- PLX/Ti models have programmable 24-hour timers.
- Option of 7-day timer on 2kW and 3kW models.
- Front air outlet grille for efficient heat circulation.
- Lockable dust cover protects controls.
- Detachable hinged wall mounting frame for fast installation and easy cleaning.
- PLX/NC models with no built-in controls for use with remote controllers.

* PLX Ti/TX models or PLX/NC models fitted with appropriate external thermostat/timer (see page 41).

PLX PANEL CONVECTOR HEATERS

SENSITIVE THERMOSTAT

Conventional bi-metal thermostats can allow a 'drift' of as much as 5°C in room temperature owing to the effects of the changing output of the heater and this would normally be rectified by regular adjustments of the controls for a return to comfort conditions.

The highly accurate gas filled thermostat fitted to the PLX overcomes this problem eliminating 'overheating' or 'underheating', with the resultant wastage of energy, or failure to maintain comfort conditions.

BUILT-IN 24-HOUR AND 7-DAY PROGRAMMERS

Incorporating accurate and reliable timers, the built-in 24-hour time clock on the PLX/TI models enables daily heating needs to be programmed in advance. The clock may be set to switch on and off as often as required throughout the day.

When heat is needed unexpectedly, there's an over-ride switch to by-pass the timer without altering the pre-set programme. The selector

control also has an OFF position.

Models PLX200TX and PLX300TX feature seven day timers. These timers allow different weekday and weekend programmes, and are ideal for commercial and office use.

CHOICE OF HEAT OUTPUTS

There are five models in the range, with outputs of 750W, 1250W, 1500W, 2000W and 3000W. Each model also incorporates a half heat selector switch. The smallest model can be switched to 375W output which makes it ideal for smaller rooms.

The thermostat operates on full or half load.

OFF/ON SWITCH

A double pole OFF/ON switch controls the electricity supply to the heater. A neon indicator will illuminate when switch is 'ON'.

THERMOSTAT KNOB

This knob is marked * and 1-6. The * setting represents a room temperature of approximately 5°C for frost protection. Maximum room temperature of approximately 35°C.

PLX/NC RANGE

This range is supplied with no controls (except the internal safety cutout) and is designed specially for use with remote controls. Four sizes are available with outputs up to 2kW (Please see page 40).

ELEMENTS

Finned, metal sheathed mineral filled type. Each model has two elements fitted on flexible mountings to prevent expansion noise.

THERMOSTAT

Gas filled type. Accurate to ±0.5°C.

SAFETY CUTOUT

Interrupt supply to reset type.

ELECTRICAL CONNECTIONS

Approx 1m of supply cable fitted to allow connection from either side. Suitable connection to the wiring of the premises and double pole switching must be provided adjacent to the appliance to comply with the IEE wiring regulations.

IP RATING

Splash-proof, IPX4.

WALL MOUNTING FRAMES

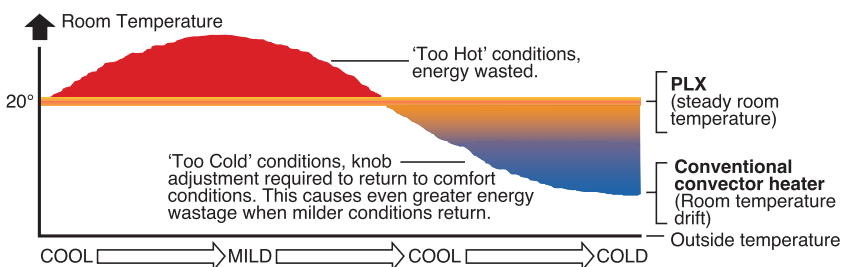
Each heater has a detachable hinged wall-mounting frame which eases and reduces time taken for installation, and enables the heater to be hinged forward for periodic cleaning. Heater secured to mounting frames for safety and security.

COLOUR/FINISH

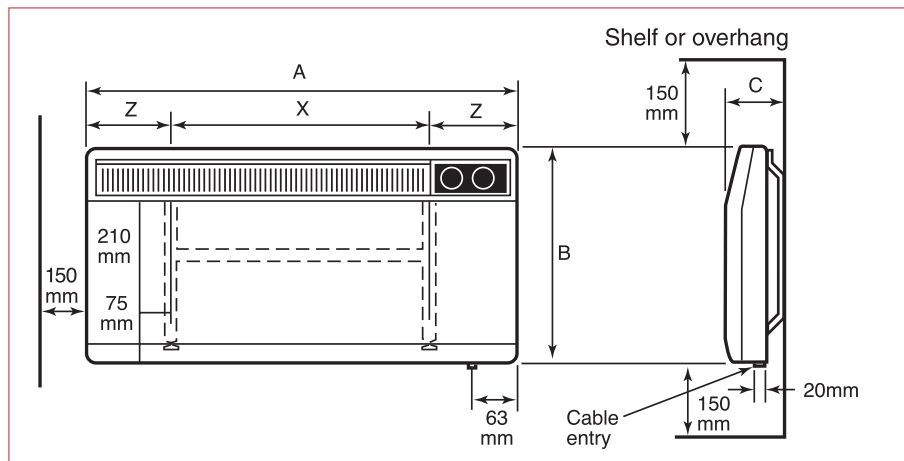
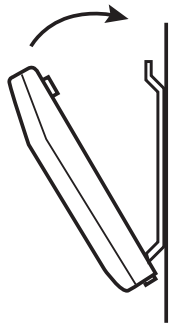
Powder coat finish in Willow White with contrasting Birch Grey grille.

THE PLX THERMOSTAT REDUCES INEFFICIENT TEMPERATURE DRIFT

PLX cuts temperature drift



Detachable hinged wall mounting frame for fast installation and easy cleaning



MODEL	LOADING	A	B	X	Z	C	WEIGHT
PLX075, TI AND NC	0.75kW	444mm	420mm	188mm	128mm	93mm	4.25kg
PLX125, TI AND NC	1.25kW	614mm	420mm	358mm	128mm	93mm	5.5kg
PLX150, TI AND NC	1.5kW	682mm	420mm	358mm	162mm	93mm	6.0kg
PLX200, TI, TX AND NC	2.0kW	852mm	420mm	528mm	162mm	93mm	7.5kg
PLX300, TI AND TX	3.0kW	852mm	420mm	528mm	162mm	130mm	9.5kg

Panel heater controls

for all panel heaters

A range of accessories for panel heaters to provide better control of running costs, improved comfort and ease of use.



PX01001 Control



PX9700 & PX9900 Control

An additional range of accessories for panel heater control, allowing either on/off control or comfort and setback switching using a pilot wire.



KX03003



KX03002

PX RANGE FEATURES

- Ideal to control energy costs in areas such as student accommodation, hotels and offices.
- Designed for use with PLX/NC no control panel heaters or any other heater up to 3KW output (except Quartz heaters).
- When activated room temperature is boosted from background to comfort temperature for a pre-set period of time.
- Comfort temperature, background temperature and time delay selected on installation.
- User cannot adjust settings once installed.
- PX01001 touchpad activated.
- PX9700 and PX9900 activated by PIR occupancy detector.
- Comfort temperature range: 16°C to 25°C
- Setback temperature range 5°C to 19°C.
- PX9900 offers additional level of setback (fixed at 5°C if room is still unoccupied after 8 hours).
- Comfort period when activated selectable from 0 – 4 hours.
- Heating cannot be reactivated until current comfort period has expired.
- Neon function indicators.

KX RANGE FEATURES

- Particularly suited to hotels and student accommodation.
- Saves energy wastage by switching heater off when room is unoccupied.
- Able to switch the heater On and Off, (PLX, SPX, EVX/S, RPX, Calidou).
- Can also be used to switch the heater between the comfort setting when the room is occupied and lower background temperature when the room is vacated. (SPX, EVX/S, RPX, Calidou).
- When card or key fob is inserted, the room temperature is boosted until it is removed.
- Able to switch 2 separate 20A circuits giving control of suitable heaters up to 3KW and power to any other device. (e.g lighting circuit).
- Neon pocket indicator gives an easily visible backlit slot when located in dark areas.
- Compatible with a standard single gang back box for easy installation. (Using the supplied adaptor plate).
- Card switch suitable for any credit card sized entry card (including VINGCARD and CORKEY door entry systems).
- Key fob supplied with Key fob switch gives ample room for hotel names, room numbers and addresses to be included.
- Additional key fobs available separately.
- Model Nos: KX03003 – Card Switch, KX03001 – Key Switch; - KX03002 – Key Fob for Key Switch.

After Sales Service

After sales service if required is absolutely no problem – we have a network of appointed Service Agents spread throughout the Country who are qualified and trained to repair or service any of our appliances. A list of Service Agents is available on request.

Bathrooms

Any electrical appliances installed in a bathroom should be fitted by a competent electrician in accordance with the current I.E.E. Regulations.

Portable heaters are NOT suitable for use in a bathroom.

Unless otherwise specified in this brochure, heaters that can be permanently fixed have to be so mounted that any controls cannot be reached by a person using a bath or shower. This restriction does not apply to heated towel rails, which do not have controls.

Safety

products are designed to comply with EN60335 the British Standard covering the safety requirements of electric heating appliances, and momentary contact with any part of the heater should not cause injury. However, in order to be effective, heaters or towel rails of any type do get hot especially (if applicable) around the air outlet grille. Therefore if aged or infirm persons, or young children, are likely to be left unsupervised in the vicinity of a heater we advise that precautions should be taken. We recommend that a guard is fitted around the heater, as is normal with many types of heating appliance in similar circumstances, to ensure contact with the heater is avoided and objects cannot be inserted into the product.

(Please see page 38 for details of accessory guards.)

Heating appliances should never be covered or positioned where objects may fall onto them.

Specifications

policy is one of continuous improvement; the Company therefore reserves the right to alter specifications without notice. Although every care has been taken in the reproduction of product finishes in this brochure, the colour photographs should be taken only as a guide. The information contained in this brochure is correct at the time of printing. You are advised to consult your Dealer before purchasing.

Plugs

All portable appliances are supplied with a fitted plug.

British Electrotechnical Approvals Board BEAB Approved

The mark of the British Electrotechnical Approvals Board signifies that the appliance bearing it has been produced to the stringent safety requirements for domestic electrical appliances as laid down in EN60335.



CE Mark

Products carrying the CE mark comply with European safety standards and the European Standard for electro-magnetic compatibility.



Installation Guidance

This brochure is designed to assist you with your choice of products and it is not intended as an installation guide.

For safety, products should only be installed by a competent person, in accordance with current regulations and the manufacturers instructions. If you require further advice concerning the installation of our products – especially where the installed dimensions may be critical to your choice and the location of the product

Please note that the dimensions contained within this brochure do not in all cases include clearances required around installed products for safe operation.