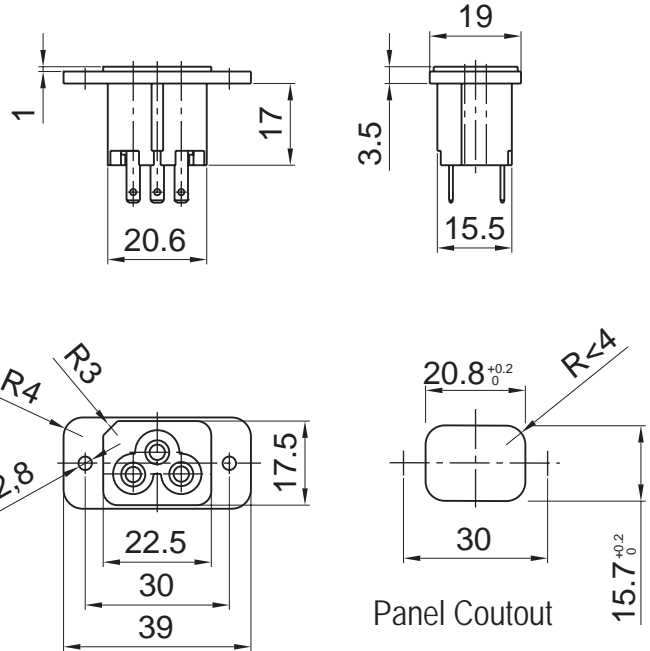


2562X

Europe / USA / Canada Appliance Inlet, T 70°C



- 2,5A/250Vac
- 2,5A/250Vac
- 2,5A/250Vac
- 2,5A/250Vac

Equipment Class I
IEC 60320-1 / EN 60320-1 / VDE 0625-1



socket:
Polyamide PA6 – UL94V-0
terminals:
copper alloy, tin-plated
or nickel-plated

Socket:
Polyamid PA6 – UL94V-0
Anschlüsse:
Kupferlegierung, verzinkt
oder vernickelt

Ordering Example: 2 5 6 2 X 4 4 4 0 A 2

Basic catalog number denotes standard version!

Line / Neutral
2 = Short Solder Terminal (L=4,8mm)
3 = Long Solder Terminal (L=8,5mm)
4 = Terminal for Printed Circuit Board
7 = Blade Terminal (2,8 x 0,8mm)
Ground
4 = Terminal for Printed Circuit Board
7 = Blade Terminal (2,8 x 0,8mm)

Mounting Condition
2 = Flange with Through Holes
Color
A = black (RAL 9005) (standard)
B = grey (RAL 7001)
D = white (RAL 9010)



P/N 2530 Mating C5
Straight Cord Connector



P/N 2512 Mating C5
Angle Cord Connector