

**Danish System**

**Grounding-Type Panel Mounted Receptacle**

**Type 11200**

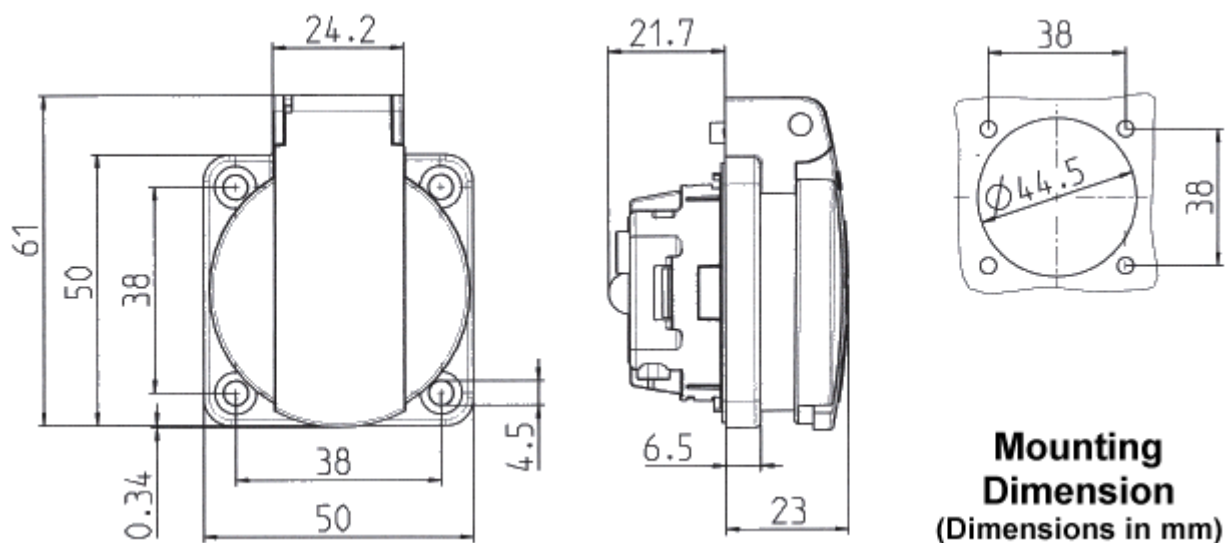
**Danish Flange Mount Receptacle  
2P+E  
with hinged Lid  
Flange with 4 Fixing Holes**

**Voltage: 230 Vac  
Current: 13 Amp**

**Protection Type: IP 44**

**Colour: grey**

**Weight: 0.044 kg**



**Mounting Dimension**  
(Dimensions in mm)