

## Israel - Surface Mounting Receptacles, IP-X4, 55512 Series

Surface Mounting Receptacle with Grounding Contact, Israeli Standard, IP-X4, 2P + E, 16 Amp, 250 Volt AC

### Specifications:

- **Ratings:** 16 Amp, 250 Volt AC  
2 Pole 3 Wire Grounding (2P + E)
- **Compliant with Standards:** SI32 (1989) SII (Round Pins)
- **Ingress Protection:** IP-X4
- **Type of Terminals:** Screw Type
- **Contact Material:** Brass
- **Carrying Parts:** Polycarbonate
- **Cover/Enclosure:** Polycarbonate
- **Standard Color:** White



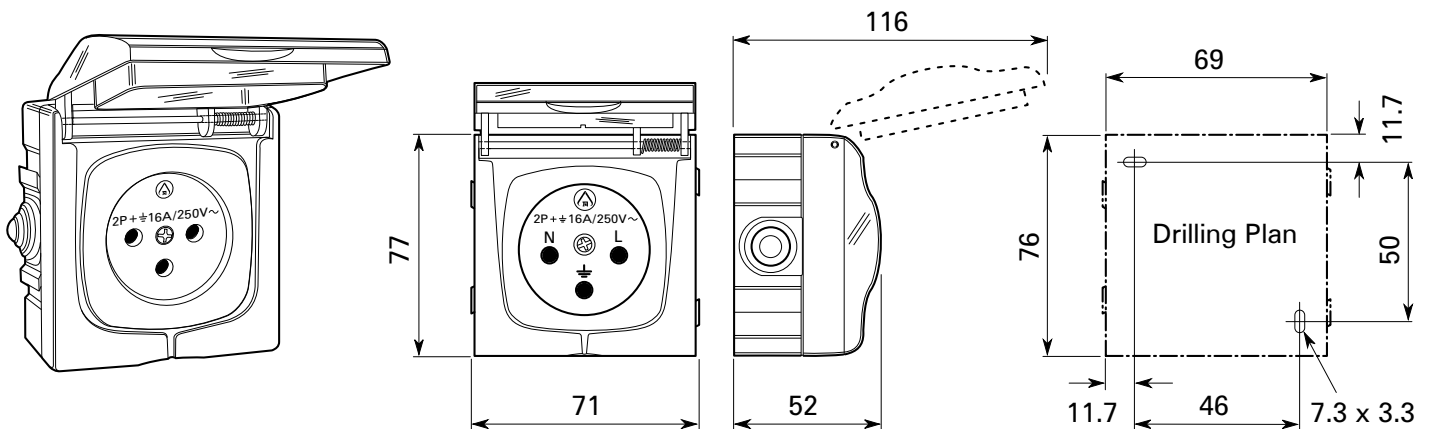
55512-WH

Version with white flap, and 2-Gang to 4-Gang Versions are available on Special Request, depending on quantities, Contact our Sales Office

Catalog No.	Color	Description	Weight/ea	VPE/Pack	EDP No.
55512-WH	White	Surface Mounting Receptacle, IP-X4, 16A, 250V AC, 2P + E	112 g (net)	120/12	126056

### Technical Data:

<b>Product series:</b>	55512 xx	<b>Produktreihe:</b>	55512 xx
<b>Product description:</b>	Surface Mount Receptacle, 2 pole 3 wire grounding, 16A 250V AC	<b>Produktbeschreibung:</b>	Aufputzsteckdose, 2P + E, 16A 250V AC
<b>Standards:</b>	according SI32 (1989) Israel SII, RoHS compliant 2002/96/EC	<b>Standarts:</b>	nach SI32 (1989) Israel SII, RoHS konform 2002/96/EC
<b>Type of material:</b>	Thermoplastic	<b>Werkstoff:</b>	Kunststoff
<b>Material specification:</b>	Polycarbonate	<b>Werkstoffgüte:</b>	Polycarbonat
<b>Contact material:</b>	Brass	<b>Kontaktmaterial:</b>	Messing
<b>Assembly screws:</b>	Galvanized steel	<b>Montageschrauben:</b>	Stahl, galvanisiert
<b>Ingress protection (IP):</b>	IP-X4	<b>Schutzart (IP):</b>	IP-X4
<b>Type of connection:</b>	Screw terminals	<b>Anschlusstechnik:</b>	Schraubklemmen
<b>Additional Informations:</b>	Supplied with conduit connector, Dims: Dia. 22mm x Length 30mm, Inside: Diameter 20mm	<b>Zusatzinformationen:</b>	geliefert mit Rohranschlußstück, Durchmesser 22mm x Länge 30mm, innen: Durchmesser 20mm



Technical data and dimensions are subject to change without notice. Dimensions in mm.