

Brazil - Snap-In Panel Socket Outlets 10A & 20A, NBR 14136

Snap-In Socket Outlets, 10A and 20A

Used in Country:
Brazil

Specifications:

- **Ratings:** 10A, 20A, 250 Volt AC
2 Pole 3 Wire Grounding (2P+E)
- **Compliant with Standards:**
ABNT NBR 14136 (based on IEC 60906-1)
- **Standard Color:** Black (BK)
Further colors available, depending on quantity.
- **Pins Diameter:** 10A Plug Ø 4.0 mm
20A Plug Ø 4.8 mm



5045N1-RD



5005N1-WH



5004N1-BK
Rear View



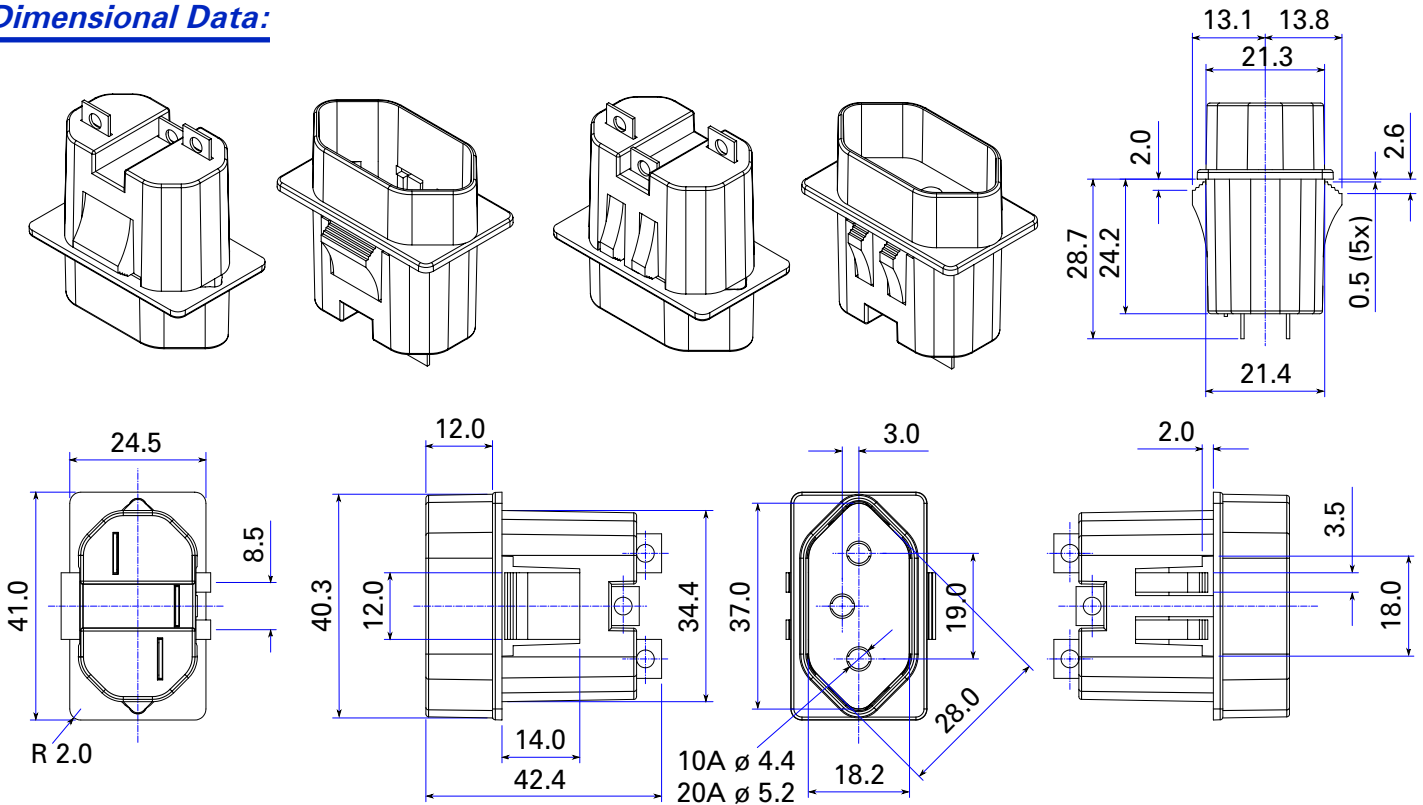
5004N1-BK



5104N1-BK

Description	Catalog No. Black	White	Red
Snap-In Socket Outlet, 2P + E, 10A/250V~, NBR 14136	5004N1-BK	5005N1-WH	5045N1-RD
Snap-In Socket Outlet, 2P + E, 10A/250V~, NBR 14136 (with Lead Wires 1.5 mm ² , 150 mm long)	5104N1-BK	—	—
Snap-In Socket Outlet, 2P + E, 20A/250V~, NBR 14136	5004N2-BK	5005N2-WH	5045N2-RD
Snap-In Socket Outlet, 2P + E, 20A/250V~, NBR 14136 (with Lead Wires 2.5 mm ² , 150 mm long)	5104N2-BK	—	—

Dimensional Data:



Technical data and dimensions are subject to change without notice. Dimensions in mm.