

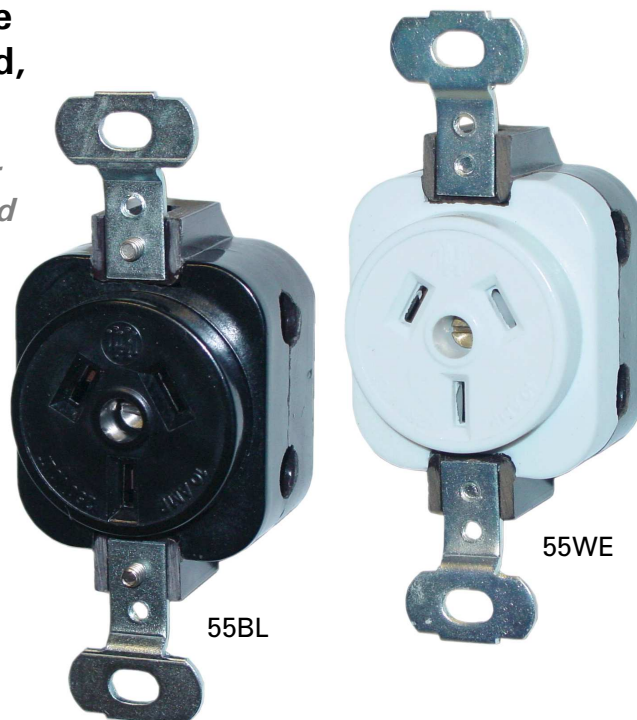
Australia / New Zealand - Flush-Mounting Socket Outlets, 10A

Flush-Mounting Mains Socket, 2 Pole 3 Wire Grounding, Australia/New Zealand Standard, Suitable for USA Standard Boxes

Steckdoseneinsatz, australischer/neuseeländischer Standard, 2P+E, geeignet zur Montage in Standard USA Gerätedosen, Hohlwand, Auf- oder Unterputz

SPECIFICATIONS

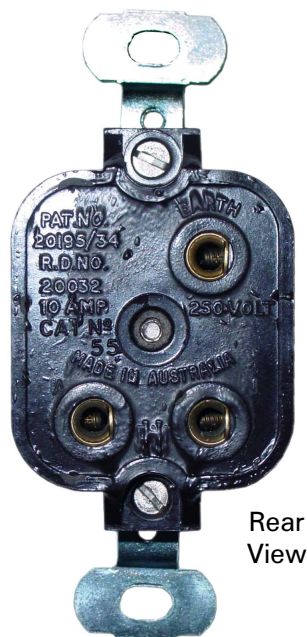
- Electrical Ratings: 250 Volt AC, 10 Amp.
- Standards according to: AS/NZS 3112
- 3 Flat Pins
- Suits Catalog No. 201APL
- Size: (57 x 40 x 29 deep)mm
- Mounting centres to suit wall box: 84mm
- Mounting centres to fit plate to mech: 60mm



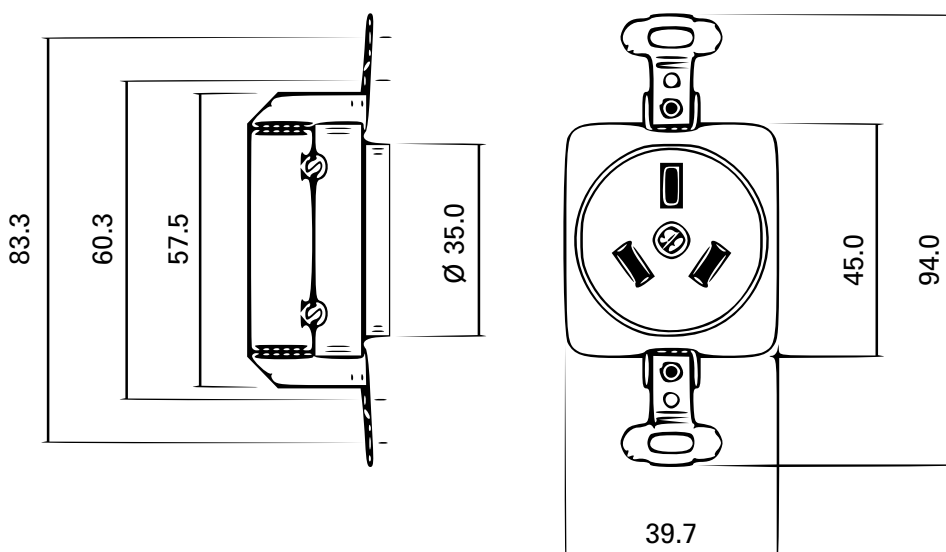
Catalog No.	Color	Description	VPE / Packed	EDP-Nr.
55BL	Black	Flush-Mount Socket, Australia/New Zealand, 10A, 3 flat pins	200/20 ea	115055
55WE	White	Flush-Mount Socket, Australia/New Zealand, 10A, 3 flat pins	200/20 ea	101342
201APL	White	Flush plate (114x70)mm to suit Catalog No. 55	200/5 ea	106191

NOTE: If existing stock is depleted, items will be discontinued.

Wenn der aktuelle Lagerbestand erschöpft ist, werden diese Artikel abgekündigt.



Rear View



Technical Data are Subject to Change without Notice. Dimensions in mm.