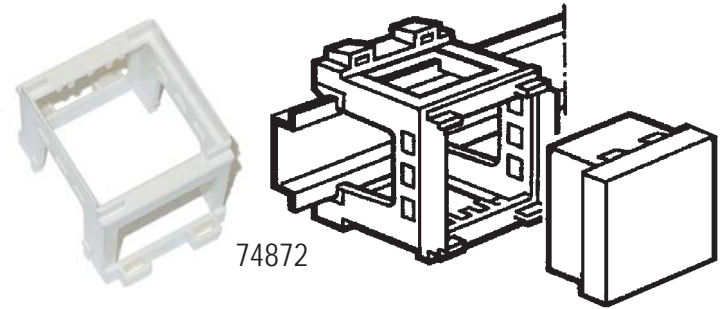


Snap-N-Service

Put a Service Outlet to Your Cabinet...

European Socket Outlets



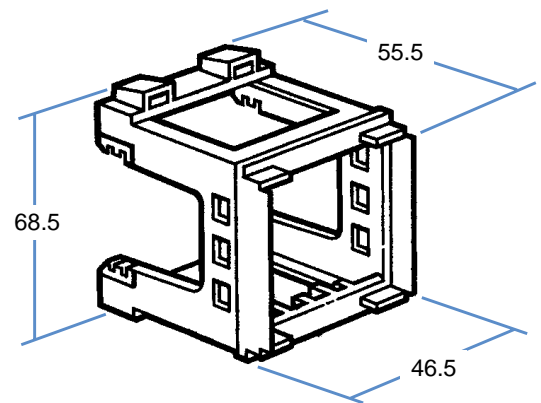
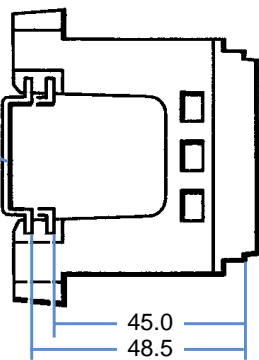
Modular Support Mechanisms

With this special Modul Support Mechanisms, which clip onto 35mm DIN-Rails, you can easily add a wide range of non-modular types of receptacles to your panel board.

Catalog No.	Description	Weight/ea
74872	Module Support Mechanisms	17 g
74140	United Kingdom BS 1363	38 g
74130	Germany SCHUKO	37 g
74169	Switzerland 10A Typ 13	25 g
74111	France / Belgium (Earth Pin)	36 g
74106	Italy 10/16A (2P+E, Dual Use)	26 g
74105	Italy 10A (2 Poles + Earth)	26 g
74391	Blanking Plate 1/2 Module	5 g

Cat.No. 74872

35mm Symetrical
DIN-Rail



For more informations refer to Document No. **9031**

To learn more about B-I-A please visit us at our
WEB site: www.BiaGmbH.com

