

Switzerland - Straight Plug Typ 12, 10 Amp. (SEV 1011)

**Straight Mains Line Plug with Grounding Contact,
Swiss Version Type 12, 2P+E, 10 Amp.**

*Stecker mit Schutzkontakt, 2P+E,
schweizer Ausführung Typ 12, 10 Amp.*

SPECIFICATIONS

- **Electrical Ratings:**
250V AC, 10A
- **Standards according to:**
SEV 1011, IEC 60884-1, SN 6534-2
- **Rewireable, for Supply Line:**
H05VV-F 3G1.0 mm² and 1.5 mm²
- **Material & Type of Terminals:**
CuZn 39 (screw terminals)
- **Material of Housing and Carrying Parts:**
Polyamide 6



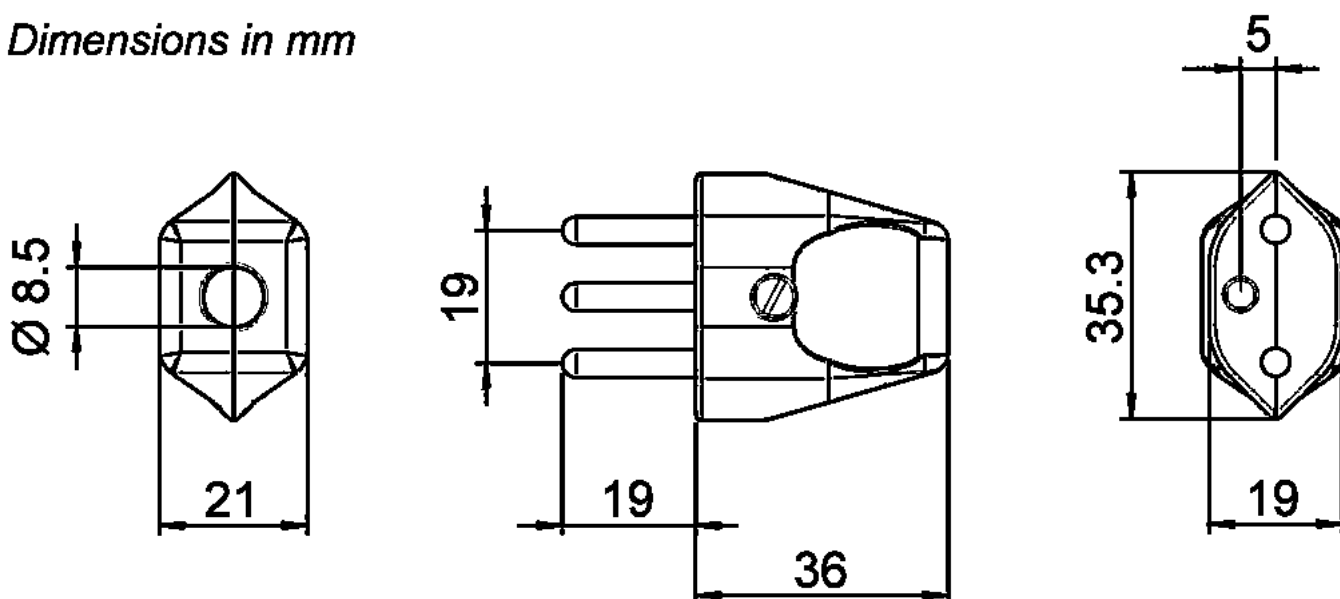
521 WH

- **RoHS COMPLIANT 2002/96/EC**

Catalog No.	Color*	Description	VPE / Packed	EDP-Nr.
521BK	Black	Plug Typ 12, 10 Amp, 250V AC, SEV 1011	100 ea	116515
521WH	White	Plug Typ 12, 10 Amp, 250V AC, SEV 1011	100 ea	116516

*available in all colors upon request, depending on quantities.

Dimensions in mm



Switzerland - Connector Typ 13, 10 Amp. (SEV 1011)

Mains Line Connector with Grounding Contact,
Swiss Version Type 13, 2P+E, 10 Amp.

*Kupplungsdose mit Schutzkontakt, 2P+E,
schweizer Ausführung Typ 13, 10 Amp.*

SPECIFICATIONS

- **Electrical Ratings:**
250V AC, 10A
- **Standards according to:**
SEV 1011, IEC 60884-1, SEV 6535
- **Rewireable, for Supply Line:**
H05VV-F 3G1.0 mm² and 1.5 mm²
- **Material & Type of Terminals:**
CuZn 37 (screw terminals)
- **Material of Housing and Carrying Parts:**
Polyamide 6

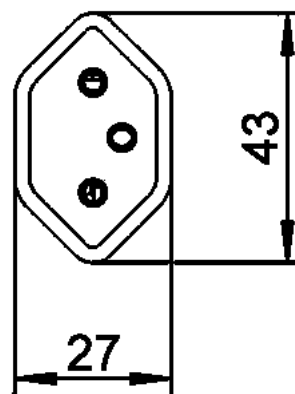
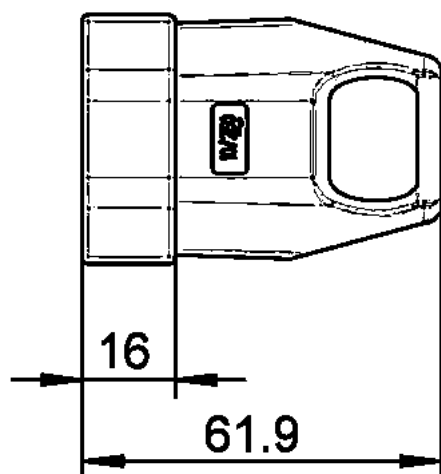


555 WH



- **RoHS COMPLIANT 2002/96/EC**

Catalog No.	Color	Description	VPE / Packed	EDP-Nr.
555BK	Black	Connector Typ 13, 10 Amp, 250V AC, SEV 1011	50 ea	116517
555WH	White	Connector Typ 13, 10 Amp, 250V AC, SEV 1011	50 ea	116518



Dimensions in mm

Switzerland - Connector Typ 13, 10 Amp. (SEV 1011)

**Mains Line Connector with Grounding Contact,
Swiss Version Type 13, 10 Amp, with Shutter**

*Kupplungsdose mit Schutzkontakt, 10 Amp,
schweizer Ausführung Typ 13, mit Shutter*

SPECIFICATIONS

- **Electrical Ratings:**
250V AC, 10A
- **Standards according to:**
SEV 1011, IEC 60884-1, SEV 6535
- **Rewireable, for Supply Line:**
H05VV-F 3G1.0 mm² and 1.5 mm²
- **Material & Type of Terminals:**
CuZn 37 (screw terminals)
- **Material of Housing and Carrying Parts:**
Polyamide 6

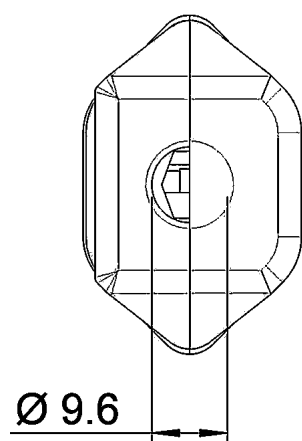


555K BK



- **RoHS COMPLIANT 2002/96/EC**

Catalog No.	Color	Description	VPE / Packed	EDP-Nr.
555KBK	Black	Connector Typ 13, 10 Amp, 250V AC, SEV, with Shutter	50 ea	125410
555KWH	White	Connector Typ 13, 10 Amp, 250V AC, SEV, with Shutter	50 ea	125411



Dimensions in mm

