

## Surface Mounting Socket Outlets IP55, 250V AC, 2P + E, Grey

France, Belgium, Germany,  
United Kingdom, Ireland

Weatherproof wiring devices system intended for residential and professional technical installations (garages, cellars, car parks, workshops, industrial kitchens, etc.) as well as outdoor environments (patios, terraces, gardens, camping sites, etc.).

French/Belgian, British, and German standard 250 Volt AC socket outlets accepting 2-pin and 2P + E plugs as per domestic standards.

Surface-mounting mechanisms supplied complete, with back box and 2 membrane direct piercing glands.



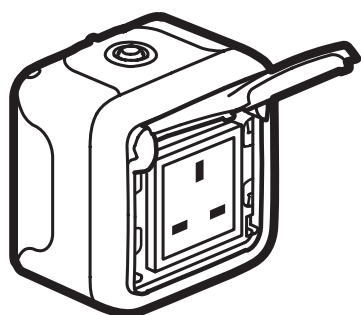
69731



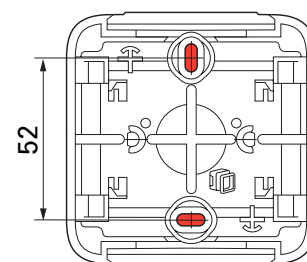
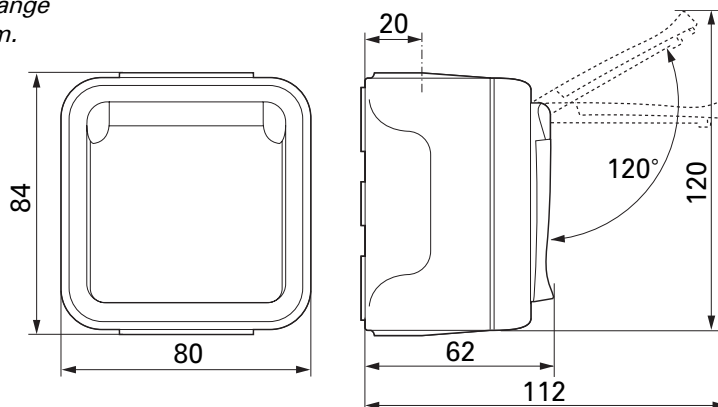
69733

Catalog No.	Replaces	Color	Country / Current Ratings / Terminals	Weight/ea	VPE/Packed	EDP-No.
<b>69731</b>	91644	Grey	France/Belgium, 16 Amp, Automatic Terminals	180 g	100/10 ea	124788
<b>69732</b>	91643	Grey	UK/Ireland, 13 Amp, Screw Terminals	180 g	100/10 ea	126096
<b>69733</b>	91641	Grey	Germany, 16 Amp, Screw Terminals	180 g	100/10 ea	126095

Technical Data are Subject to Change without Notice. Dimensions in mm.



69732



**Surface-mounting:**  
by screwing the base box onto the support using 2 screws Ø 3-4 mm max.

### TECHNICAL CHARACTERISTICS

- 1 Protection Rating:** IP 55 IK 07 (Flap Closed)
- 2 Climatic Characteristics:**  
Storage: -25°C to +60°C, Operating: -20°C to +40°C (+50°C for short periods)
- 3 Connection to conductors:**  
*Automatic terminal mechanisms*  
The stripping length required is 13 mm. The correct stripping length can be checked against the gauge on the rear of the base. Terminal capacity is 1.5 mm<sup>2</sup> to 2.5 mm<sup>2</sup> (1 or 2 conductors).  
*Screw terminal mechanisms*  
Pillar terminals supplied open, with screws backed off and locked  
Min. capacity : 1 x 1.5 mm<sup>2</sup>  
Max. capacity : 3 x 2.5 mm<sup>2</sup> or 2 x 4 mm<sup>2</sup>  
Max. tightening torque : 0.8 N/m  
Usable screwdrivers : flat blade 3.5 to 5 mm or Philips No.1
- 4 Resistance to Salt Spray:** 7 days (168 hrs)

### 5 Electrical Characteristics

- Self-extinguishing in accordance with IEC 60695-2-11:
- components (or parts) required to secure live parts: 850°C
  - components (or parts) not required to secure live parts: 650°C
- Voltage, Current, Frequency  
250 Volt AC, 16 Amp (BS 13 Amp), 50 Hz in accordance with IEC 60884-1
- 6 Materials:** (Grey RAL 7035 / 7016)  
Box: PP (Reinforced Polypropylene)  
Flap: ABS (Acrylonitrile-Butadiene-Styrene)  
Entry Gland: PP + SEBS (Styrene-Ethylene-Butadiene-Styrene)  
Mechanism: PC (Polycarbonate)
  - 7 Resistance to Ultra-Violet Radiation:**  
No significant change after 7-day test with light intensity 550 W/m<sup>2</sup> (Colorimetric Measurement according to Lab Method Test).

### PRODUCTS IN COMPLIANCE WITH STANDARDS

- 1 French/Belgian Version:**
  - France NF C61-314, Belgium NBN C61-112, International IEC 60884-1
  - NF USE approval according to NF C61-314
  - Conform with NF C15-100 (child protection by shutter system)
- 2 British Version:**
  - BS 1363 : Part 2, BS EN 60529
- 3 German Version:**
  - VDE 0620, International IEC 60884-1

### CLEANING

Surface may be cleaned with dry cloth or cloth dipped in soapy water. Do not use acetone, spirits, tar remover or trichloroethylene.

**Important:** A test should be carried out before using any specific cleaning product.