

Surface Mounting Enclosures IP55, for Modular Devices

Surface Mounting Enclosures IP55, for Modular Devices 22.5 or 45 mm

SPECIFICATIONS

- Temperature Range: -5 to +40°C
- Ingress Protection: IP55
- Cable Entry Stepped Sleeve (already Installed in Boxes), and Cut-Outs
- Housing Material: ABS, Color Grey (RAL 7035)
- Lid Material: PVC, Transparent, Rubberized
- Approvals: IMQ, CE

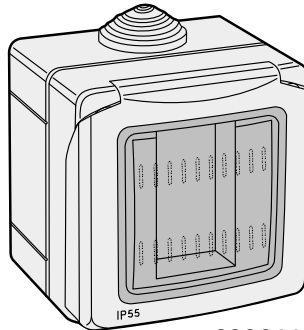


680611 shown with Brazil 10 Amp. Socket Outlet (P/N 685041, sold separately).

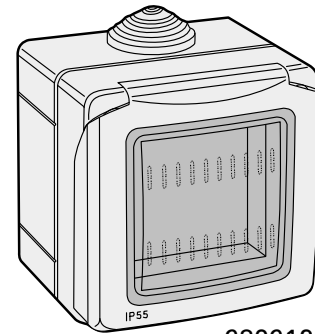
Catalog No.	Description	Weight/each	VPE/Pack	EDP No.
680611	Surface Mounting Enclosure IP55, for 1 Modul (22.5 x 45)mm	143 g	100/10	126037
680612	Surface Mounting Enclosure IP55, for 1 Modul (45 x 45)mm	122 g	100/10	126038



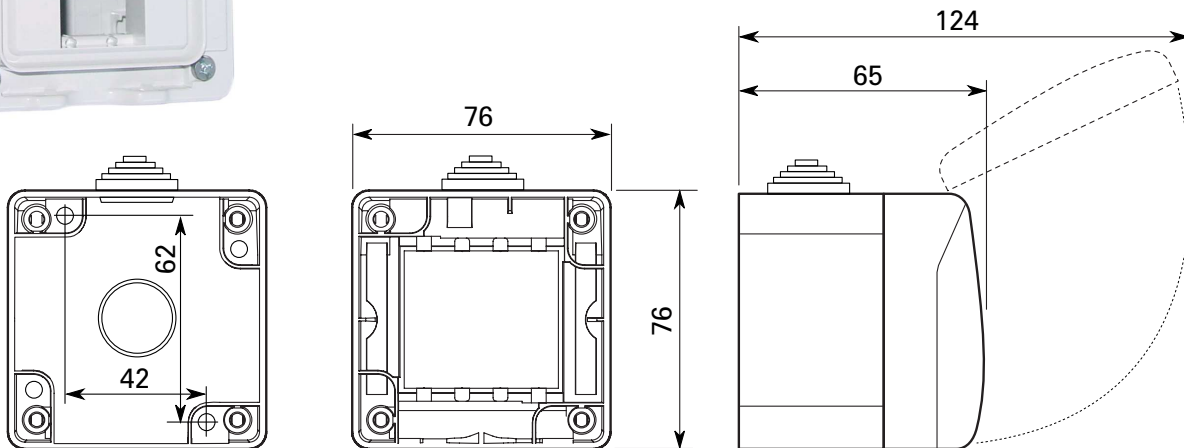
680611



680611



680612



Technical Data are Subject to Change without Notice. Dimensions in mm.