

## United Kingdom - Rewireable Cord Connector, Round Pins

**Rewireable Cord Connector,  
2 Pole 3 Wire Grounding, 15 Amp.**

*also Suitable for India and South Africa*

### SPECIFICATIONS

- Ratings: 15 Amp, 250 Volts AC
- 2 Pole 3 Wire Grounding (2P + E)
- Suttered Line and Neutral
- Connector according to: BS 546, BS 5733
- Screw-Type Terminals
- Rubberized Plastic, Brass Contacts
- Standard Color: Black



FC153BLK  
15A, 250V AC

Catalog No.	Color	Description	Weight/each	VPE/Pack	EDP No.
FC153BLK	Black	Cord Connector, BS 546, 15A, 250V AC, Round Pins	163 g net.	100/10	120490

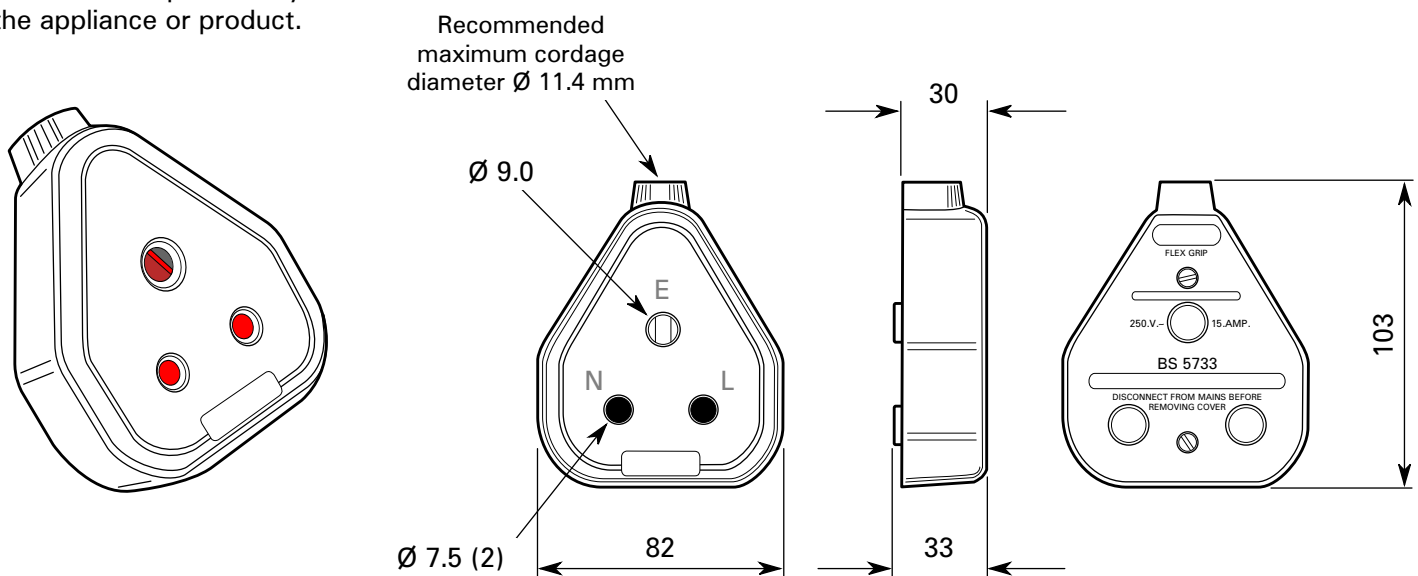
### NOTES:

Join Standard Cordage only, Cross Section from 1.5 to 2.5 mm<sup>2</sup> (2P + E) max. 15A/250V AC.

Connections specified by the appliance or product.

**Warning:** The load can not exceed the specifications written in the products.

*See Installation Instructions on Page 2*



*Technical Data are Subject to Change without Notice. Dimensions in mm.*

**United Kingdom - Rewireable Cord Connector, Round Pins**

**Rewireable Cord Connector,  
2 Pole 3 Wire Grounding, 15 Amp.**

*also Suitable for India and South Africa*

**WARNING**

**Earth connection must be made for safety reasons.**

- 1 Total Maximum load must not exceed 15 amps.
- 2 The socket must not be wired directly into the mains, but must be connected by means of a flexible cord, minimum size 1.5mm<sup>2</sup>, via a three pin plug.
- 3 It is important to wire the socket correctly: this means connecting the right colour wire to the applicable terminal in the socket. (See Fig.2).
- 4 Remove 56 mm of outer sheathing from the cable and cut back earth wire to 31 mm (See Fig.1). Carefully strip enough insulation to expose 6 mm of wire. Twist bare strands clockwise.
- 5 Run the BROWN wire to the terminal marked L, the BLUE wire to N and the GREEN & YELLOW wire to E.
- 6 Ensure the bare ends of the cords are inserted into the terminals and firmly clamped.
- 7 Cord sheath must be securely clamped by means of the cord grip shown in Fig.2
- 8 Replace cover and tighten screws.
- 9 Do not use electrical equipment where it may be subjected to excessive moisture or dampness.

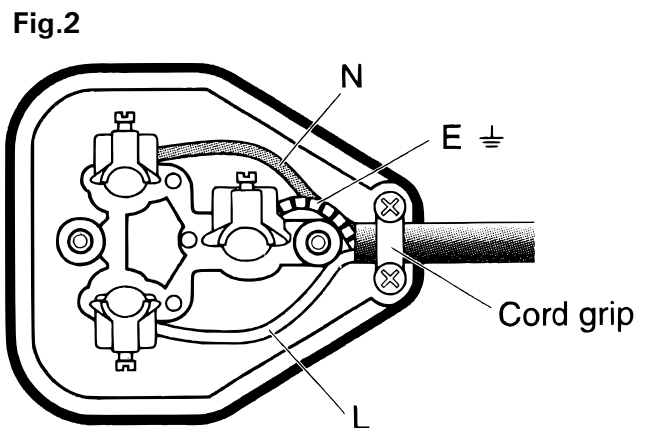
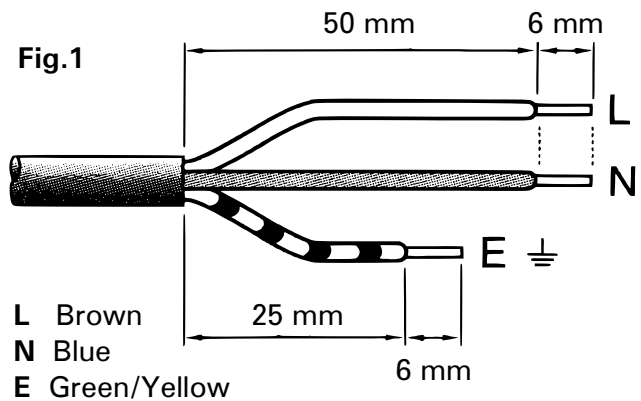
15 amp Trailing Socket

**FC153**

**Instructions for use**

MAXIMUM RATING 15 AMPS / 3600 WATTS

**IF IN DOUBT CONSULT A QUALIFIED ELECTRICIAN**



W8216DP - 07/99

*Technical Data are Subject to Change without Notice. Dimensions in mm.*