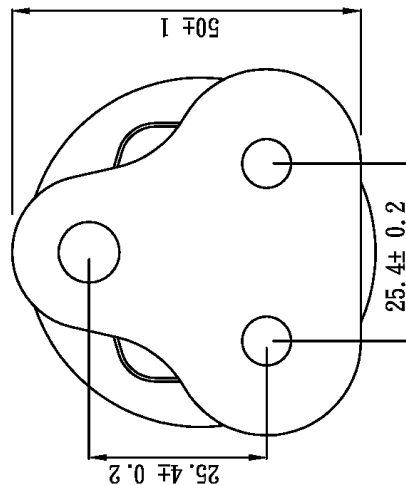
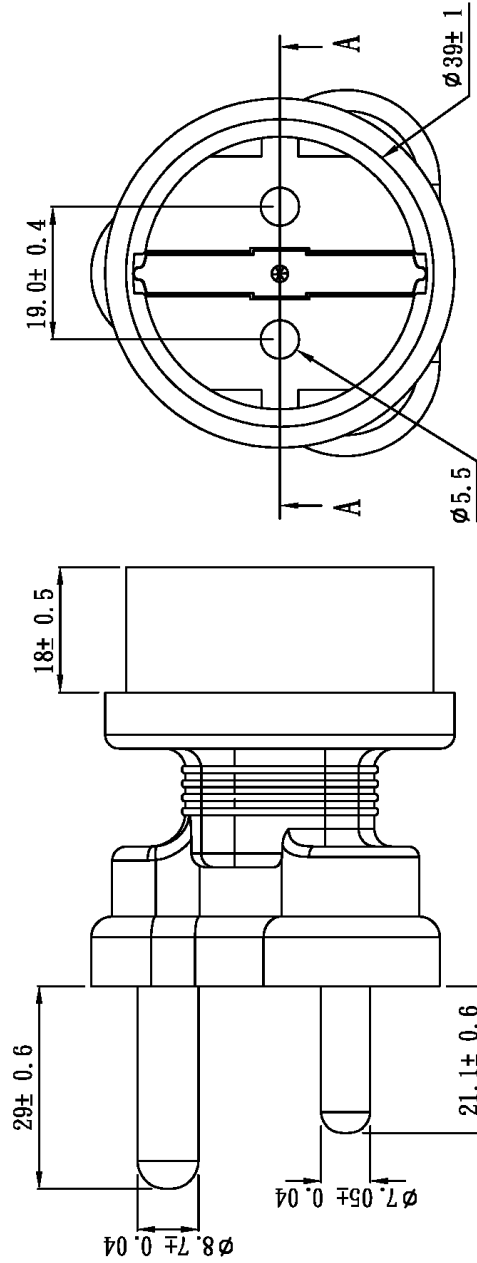
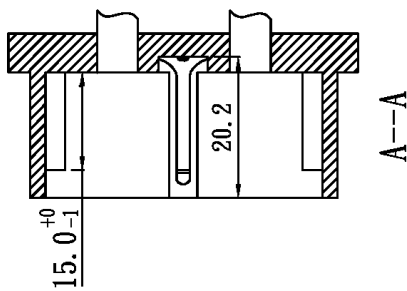
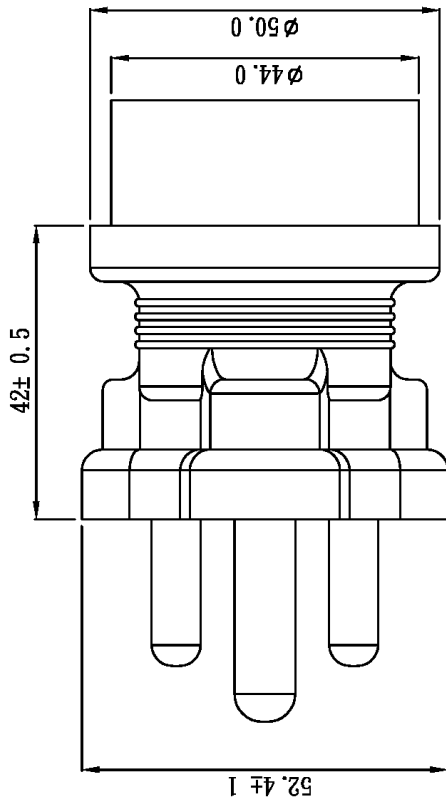


**Note:**

1. Rating: 10A 250V
2. Insulation Resistance: 100MΩ
3. Dielectric Voltage: 2000V/sec



**NOTE:**

1. 1015 18AWG (Brown/Blue:L=25mm Green/Yellow:L=30mm)
2. 3Pin South Africa plug inner model 1PC
3. FRAME :YC-23 1PC
4. PVC:50P
5. ZIP BAG:110X110X0.04mm 1PC (W=110 L=110)
6. SLEEVE WHITE 1PC

APPROVED		DATE	Catalog No. YL-8023 (former no. YL-5623)	
CHECKED		DATE	P/N	119617
DRAWN		DATE	MATERIAL	P.V.C UNIT
TOLERANCE		Angle: ± 1°		
>0± 0.30		SCALE 1:1		
>1.0± 0.50		DRAWING NO. CY-A3523		
>10.0± 1.0		TYPE YL-8023		
>20.0± 2.0		MATERIAL P.V.C UNIT		
UNIT mm		SCALE 1:1		
DRAWING NO. CY-A3523		UNIT mm		